

## REMOVE STEERING FORK ASSEMBLY

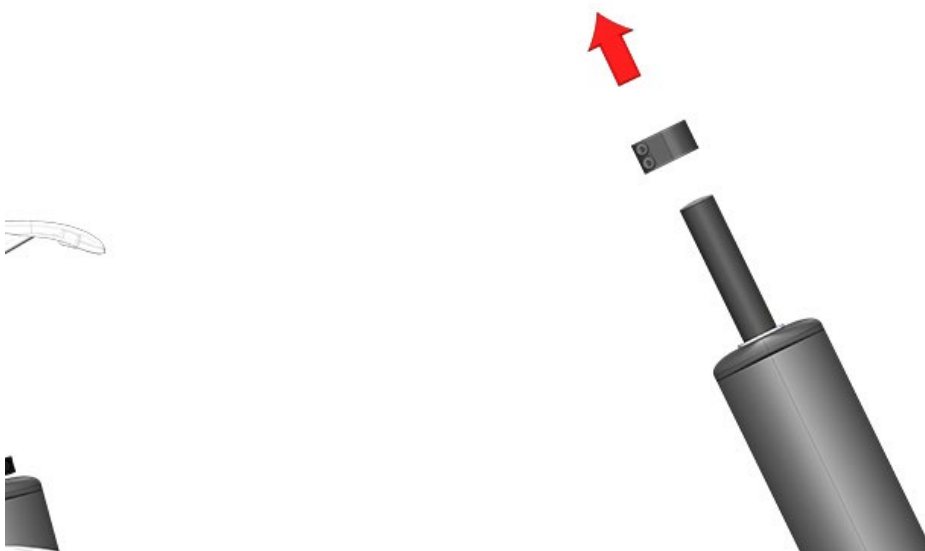
This tutorial shows how remove the steering fork assembly from the XE-1.

### TOOLS REQUIRED

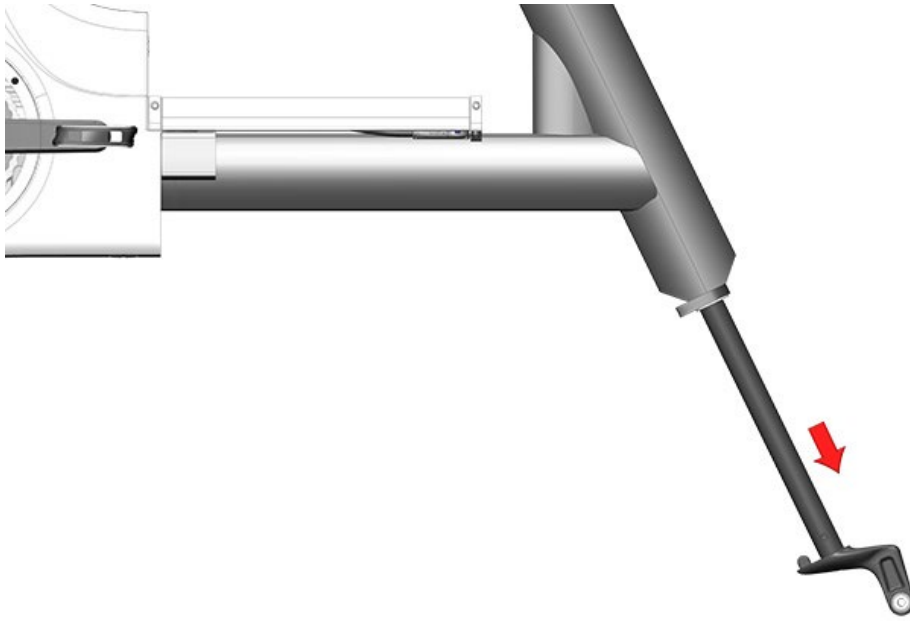
| ID | Description | Task                                |
|----|-------------|-------------------------------------|
|    | M5 Hex Key  | M5 Cap Screws - Steering Tube Clamp |

#### 1.1 Work Instruction - Remove Steering Fork Assembly with bearings

1.1 Loosen the Steering Tube Clamp screws and slide the clamp upwards to remove with a M5 Hex Key.



1.2 Remove the Steering Fork Tube with bearings by pulling it downwards out of the frame.



**INFORMATION:** Recover the Bottom Steering Fork Bush if it comes out with the Steering Tube.

1.3 Remove the Top and Bottom Steering Tube Bushes and the Aero Frame End Cap if required.

