

REMOVE RH LOWER MOTOR MOUNT BRACKET

This tutorial shows how to remove the RH Lower Motor Mount Bracket from the XE-1

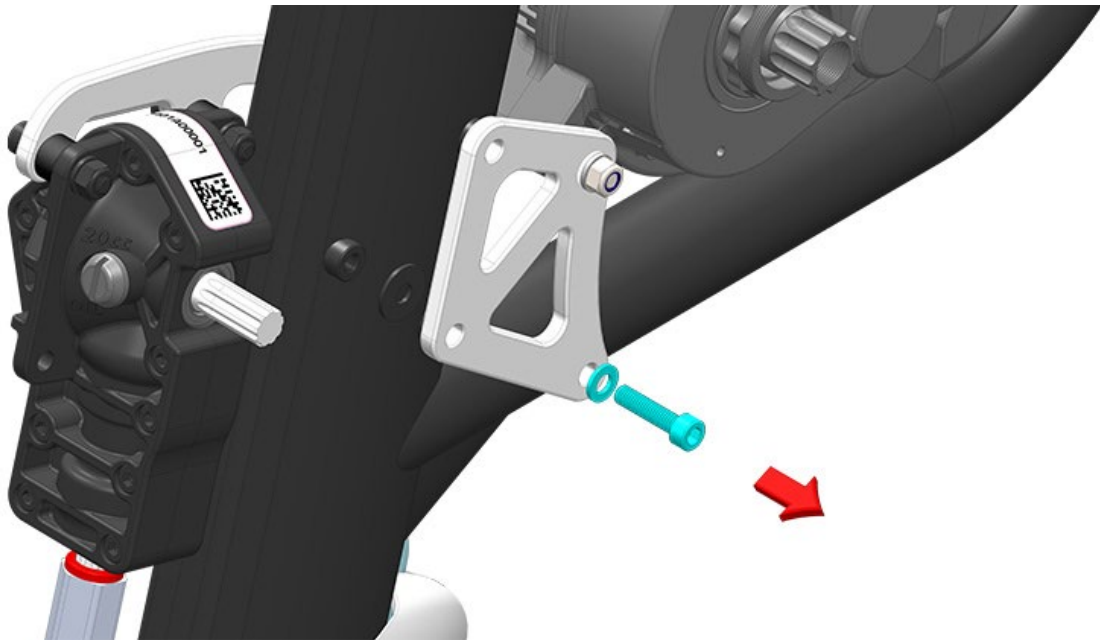
THIS TASK CAN BE ONLY PERFORMED BY MANTA5 SERVICE AGENTS, BIKE MECHANICS (OR EQUIVALENT) WITH FULLY EQUIPPED WORKSHOP.

1. Work Instruction - Remove RH Lower Motor Mount Bracket

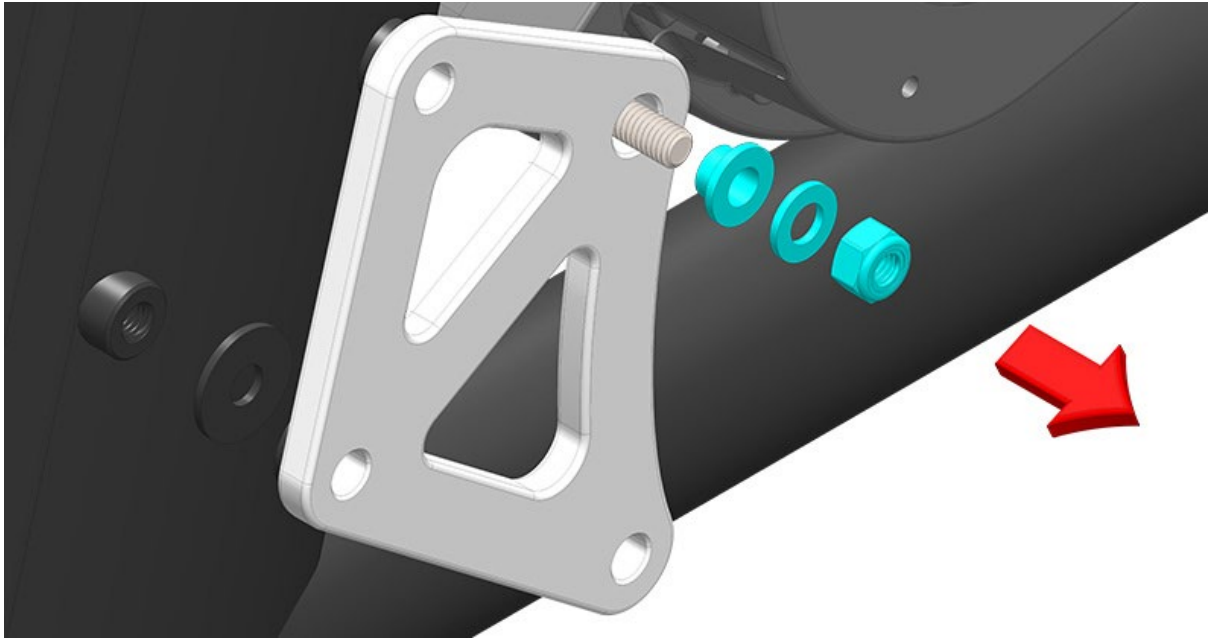
TOOLS REQUIRED

ID	Description	Task
	M5 Hex Key	Loosen M6 Cap Screws
	10 MM Open/Combination Wrench	Loosen M6 Nylock Nut

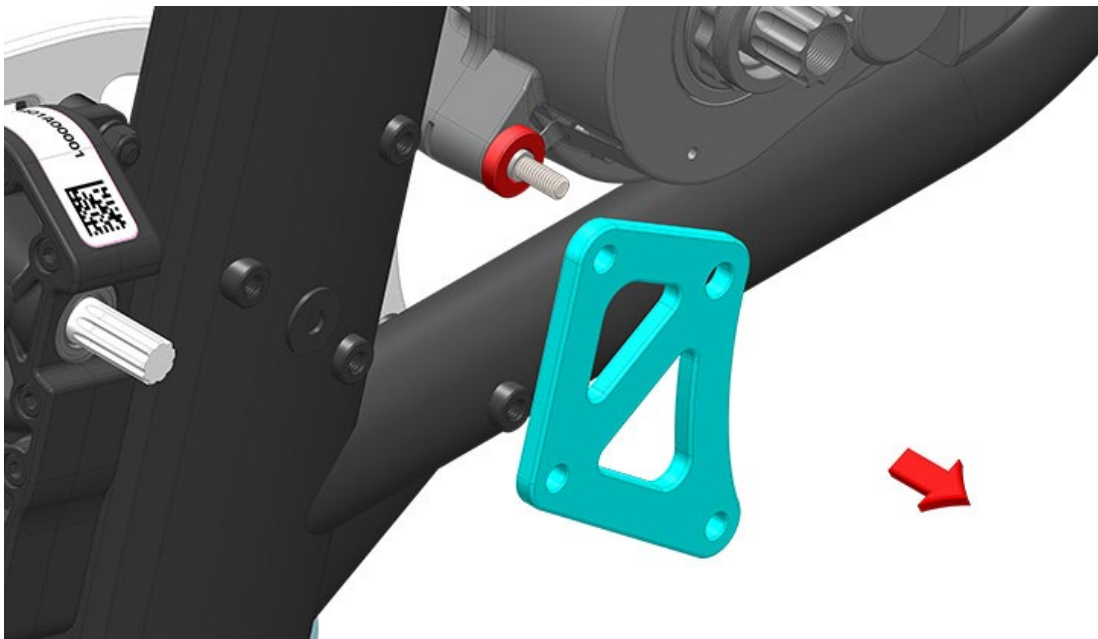
1.1 Remove the M6 x 25 mm Cap Screw with M6 Washer from the RH Lower Motor Mount Bracket.



1.2 Remove the M6 Stainless Steel Nylock Nut, Stainless Steel Washer and short Nylon Sleeve (bush with shoulder), from the 70 mm length M6 Stainless Steel Cap Screw.



1.3 Remove the RH Lower Motor Mount Bracket.



1.4 Remove the Motor Mount Spacer.

