

REMOVE PROPELLER DRIVE SHAFT

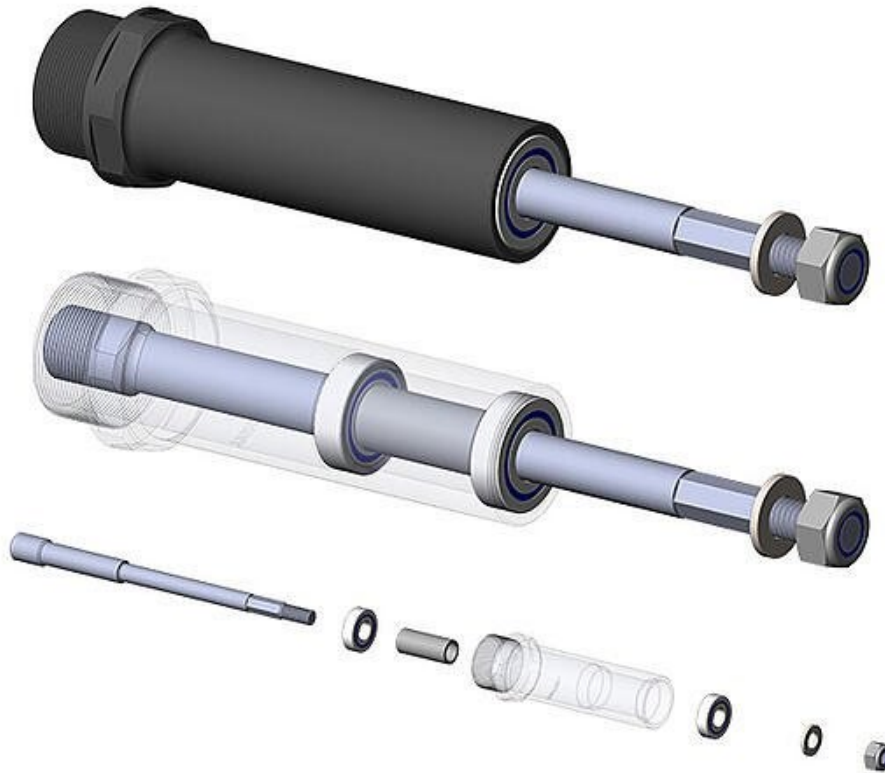
1. Remove Propeller Drive Shaft

Pre-Requirement: Remove Propeller Drive Shaft Assembly

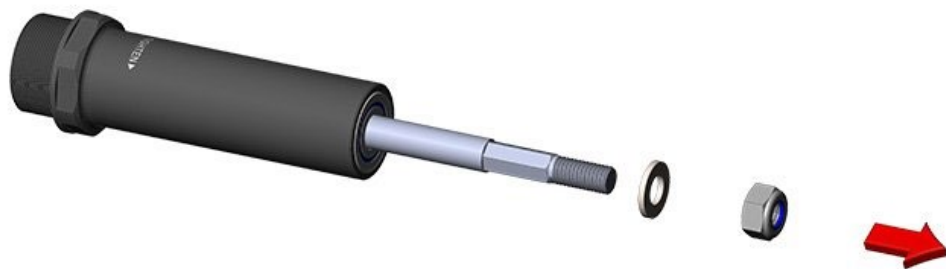
TOOLS REQUIRED

ID	Description	Task
	17mm Open Wrench	Remove M10 Nylock Nut

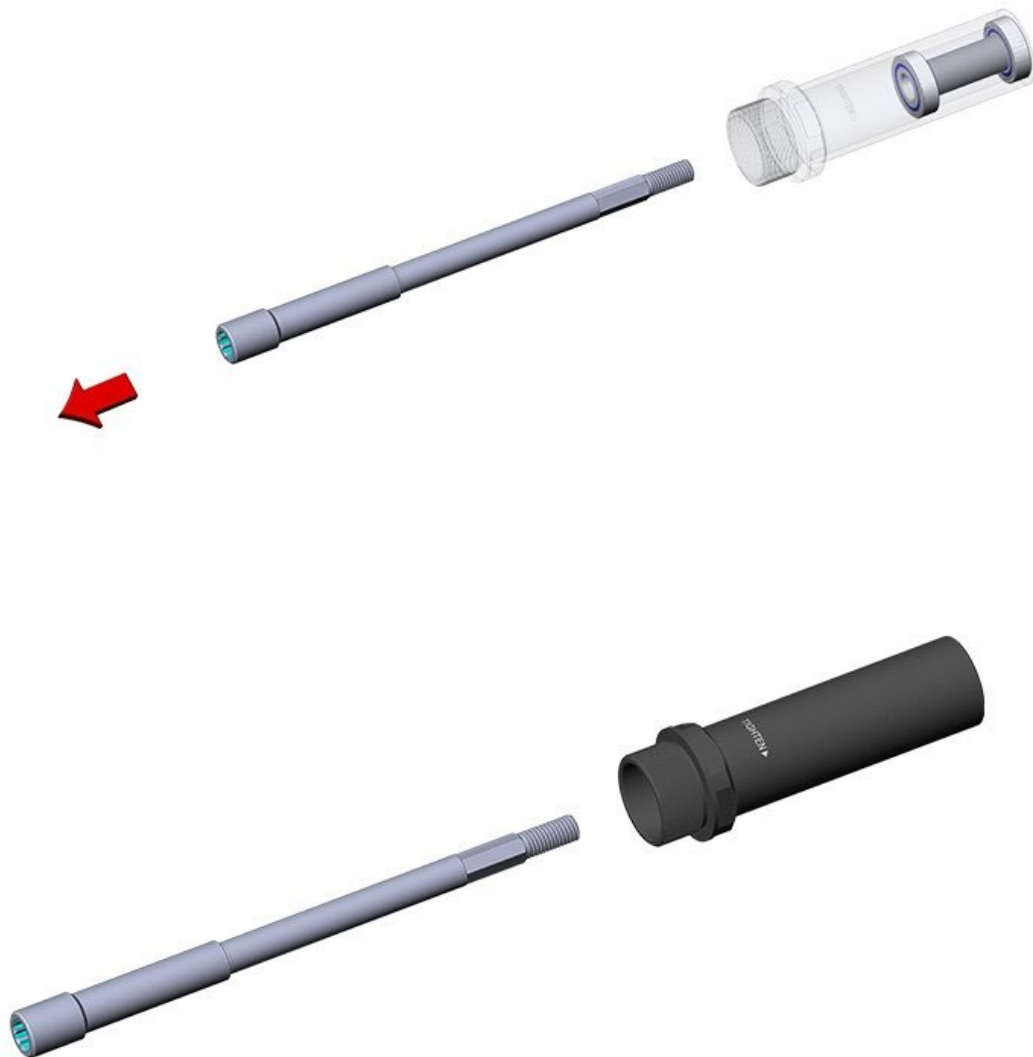
1.1 Information Only - Propeller Drive Shaft Assembly Images:



1.2 Loosen and remove the Propeller Nut and Washer by rotating the Propeller Nut anti-clockwise. [Tools: By Hand Only]



1.3 Remove the Propeller Drive Shaft from the Propeller Drive Shaft Assembly, leaving the Bearings and Propeller Hub Bearing Spacer in place.



INFORMATION: The aft bearing (gearbox side) is not pressed into the Hub Bearing Spacer but locates against an internal shoulder profile on the inside of the Hub Bearing Spacer. If the aft bearing comes out with the shaft, simply slide it off the shaft. If force is required to remove the bearing, inspect for damage and corrosion. The bearing must be free-spinning and free of corrosion to re-use in the assembly.

BEARING SPECIFICATION:

Description: S6001-2RS - BALL BEARING, RADIAL, SINGLE ROW SEALED

Material: STAINLESS STEEL 316.