

This tutorial shows how to remove the Pedal Crank Arms from the XE-1

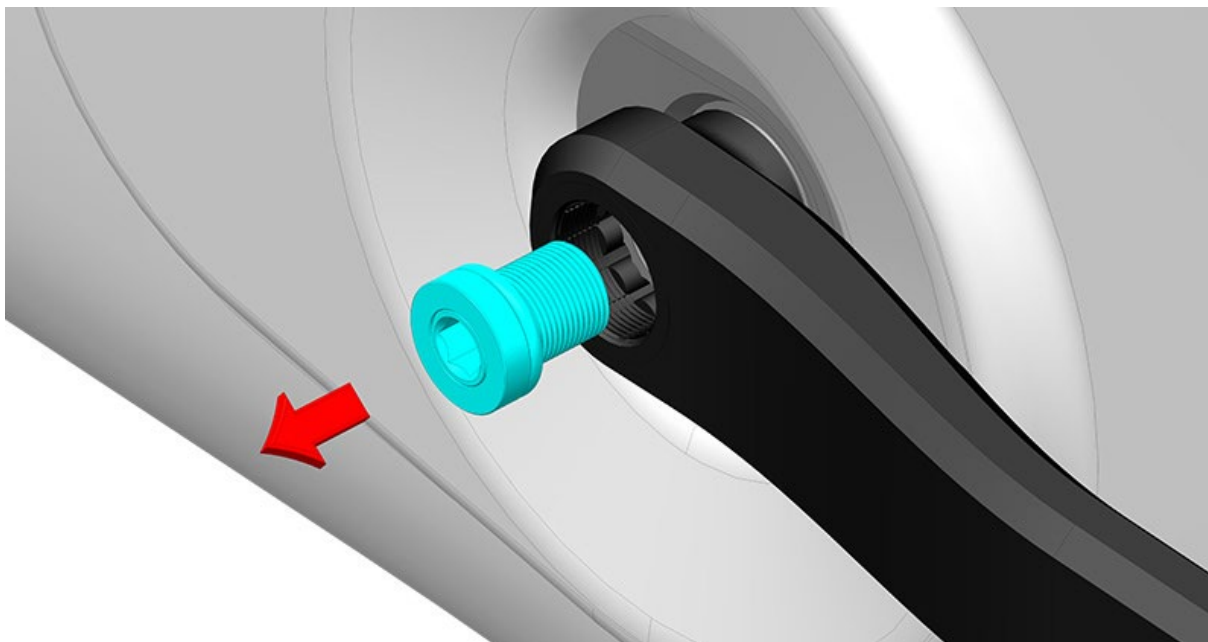
1. Remove Pedal Crank Arms LH and RH

TOOLS REQUIRED

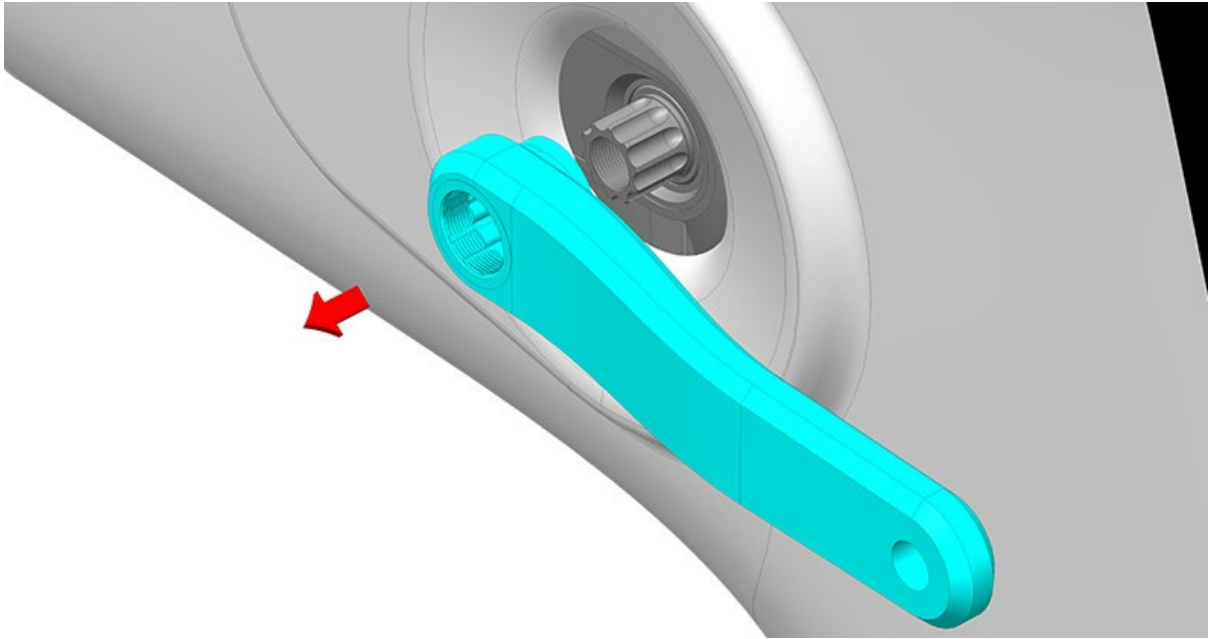
ID	Description	Task
	Hex Key 8 mm	Remove Crank Bolts
JP00025	Park Tool Crank Extractor - CCP44	Removing pedal cranks from motor spindle

THIS TASK CAN BE ONLY PERFORMED BY MANTA5 SERVICE AGENTS, BIKE MECHANICS (OR EQUIVALENT) WITH FULLY EQUIPPED WORKSHOP.

1.1 Remove Left-Hand Crank Arm 15mm ISIS Crank Bolt with a 8mm Hex Key.

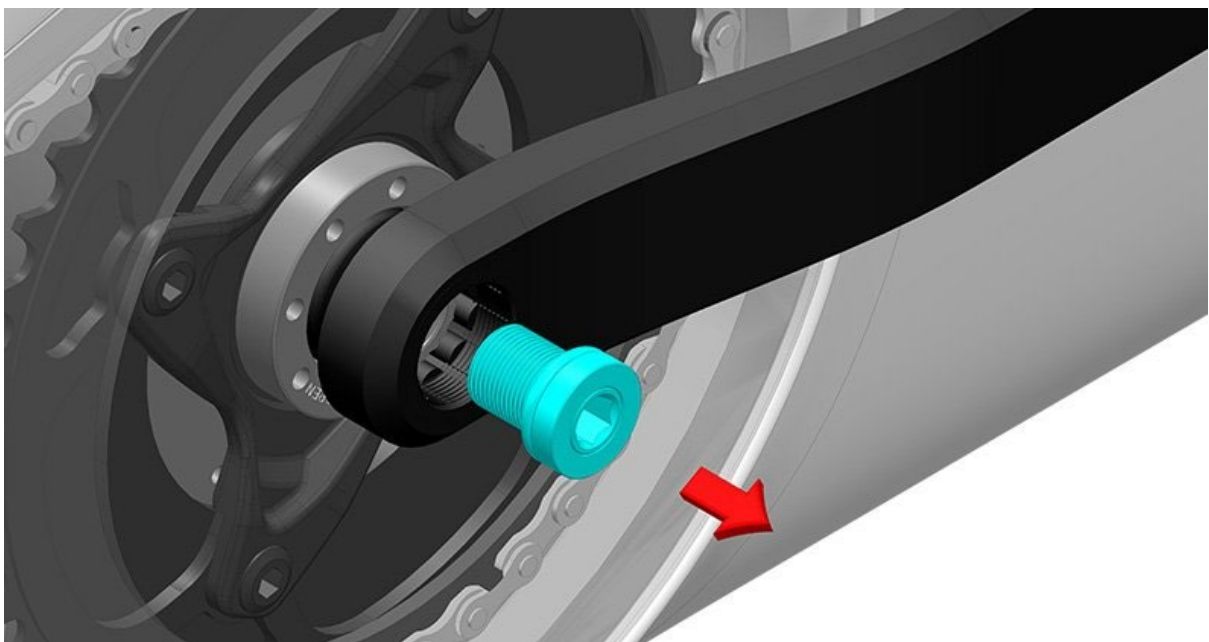


1.2 Remove Left-Hand Crank Arm with the Crank Extractor.



INFORMATION: Rotate the Crank Bolt anti-clockwise (right-hand thread) to loosen. Take note of the LH or RH markings on the outside face near the pedal end of the Crank Arms.

1.3 Remove Right-Hand (RH) Crank Arm 15mm ISIS Crank Bolt with a 8mm Hex Key.



1.4 Remove Right-Hand (RH) Crank Arm with the Crank Extractor.

