

This tutorial shows how to remove Motor and Cable Assembly from the XE-1.

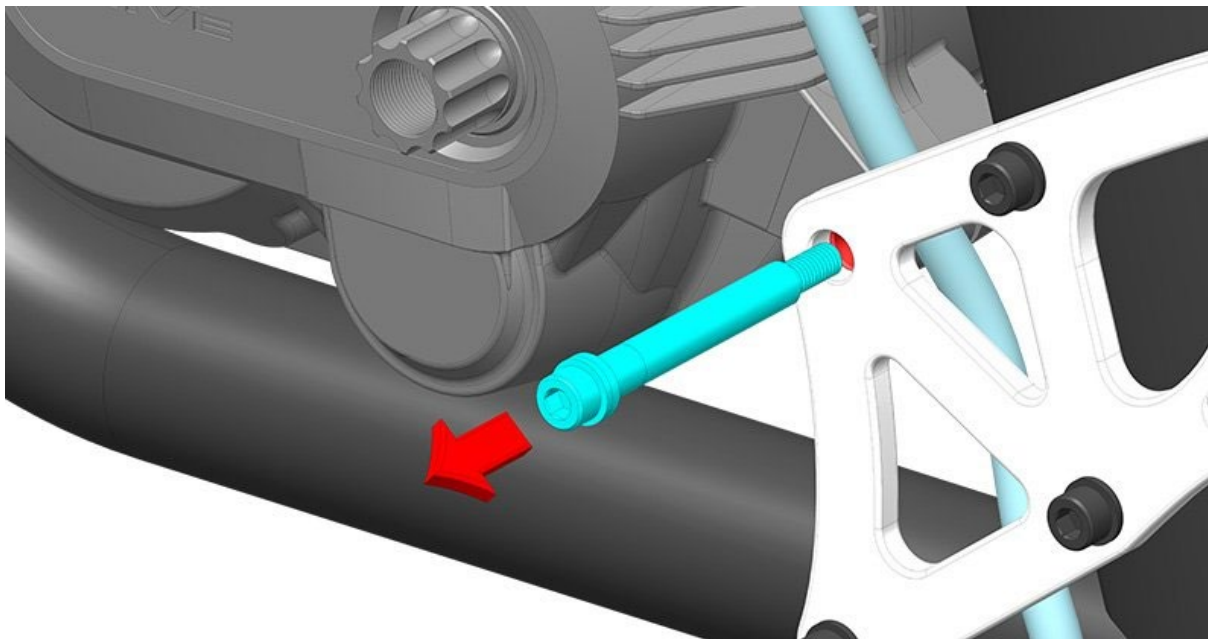
**THIS TASK CAN BE ONLY PERFORMED BY MANTA5 SERVICE AGENTS, BIKE MECHANICS (OR EQUIVALENT) WITH FULLY EQUIPPED WORKSHOP.**

**1. Work Instruction - Remove Motor and Cable Assembly.**

**TOOLS REQUIRED**

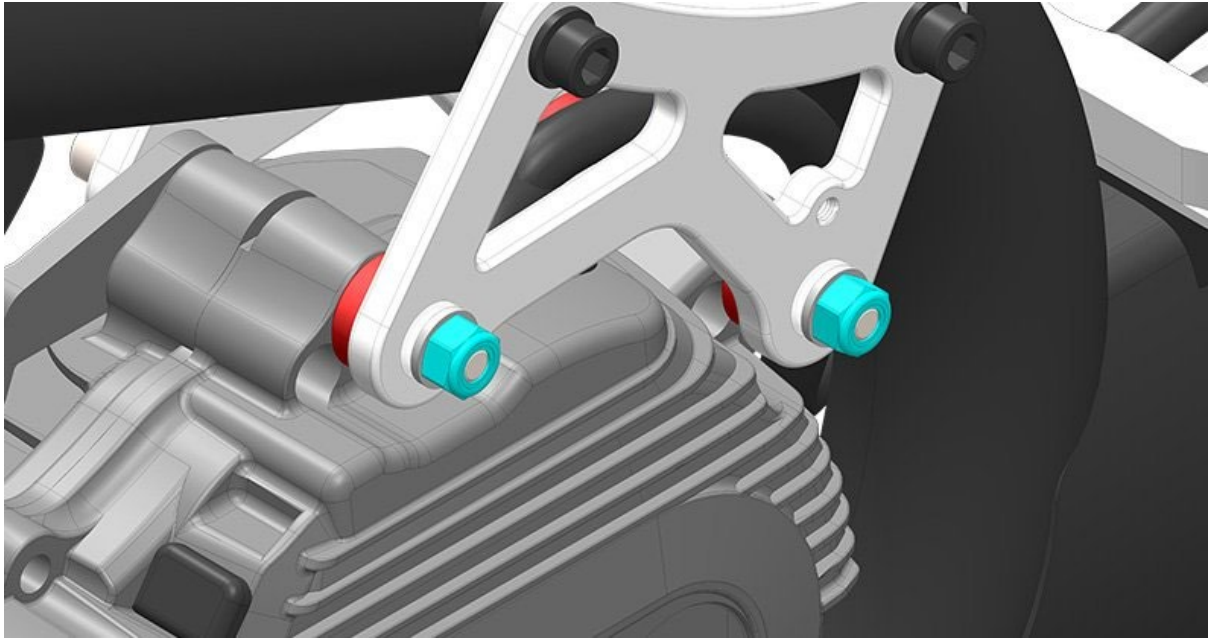
ID	Description	Task
	M5 Hex Key	Loosen M6 Cap Screws
	10 MM Open/Combination Wrench	Loosen M6 Nylock Nut

1.1 Remove Lower Motor Mount 70 mm SS screw with Long Sleeve, Short Sleeve with Shoulder and Stainless Steel Washer.

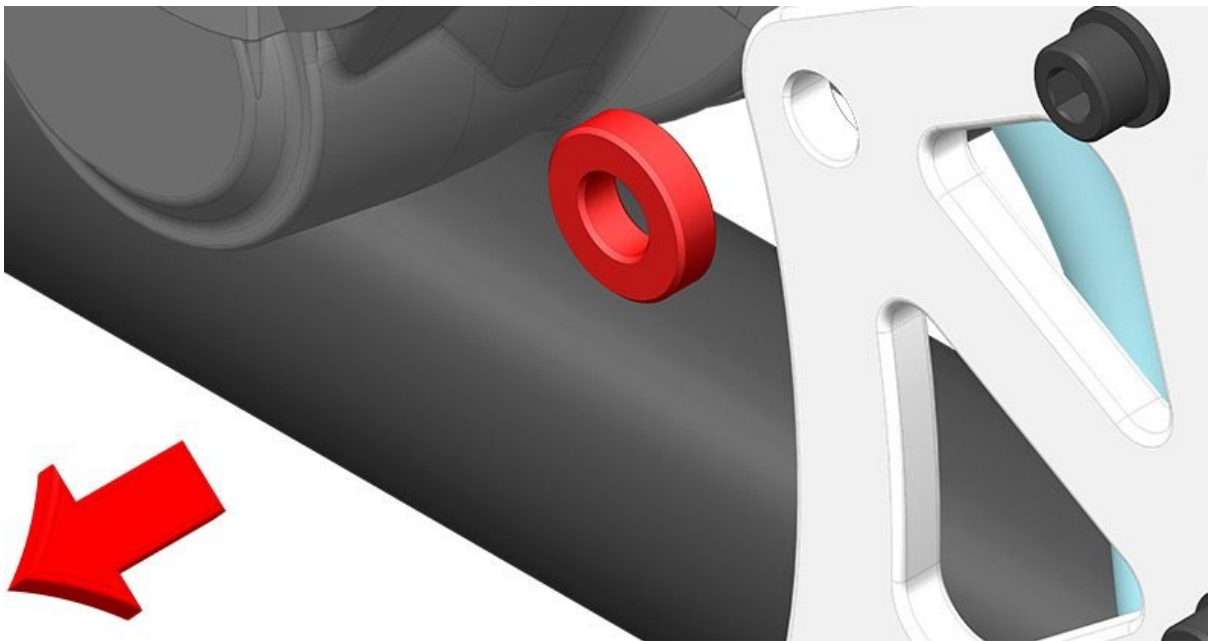


**INFORMATION:** The Motor Mount Spacer (Anodized Red) will be removed in a later step.

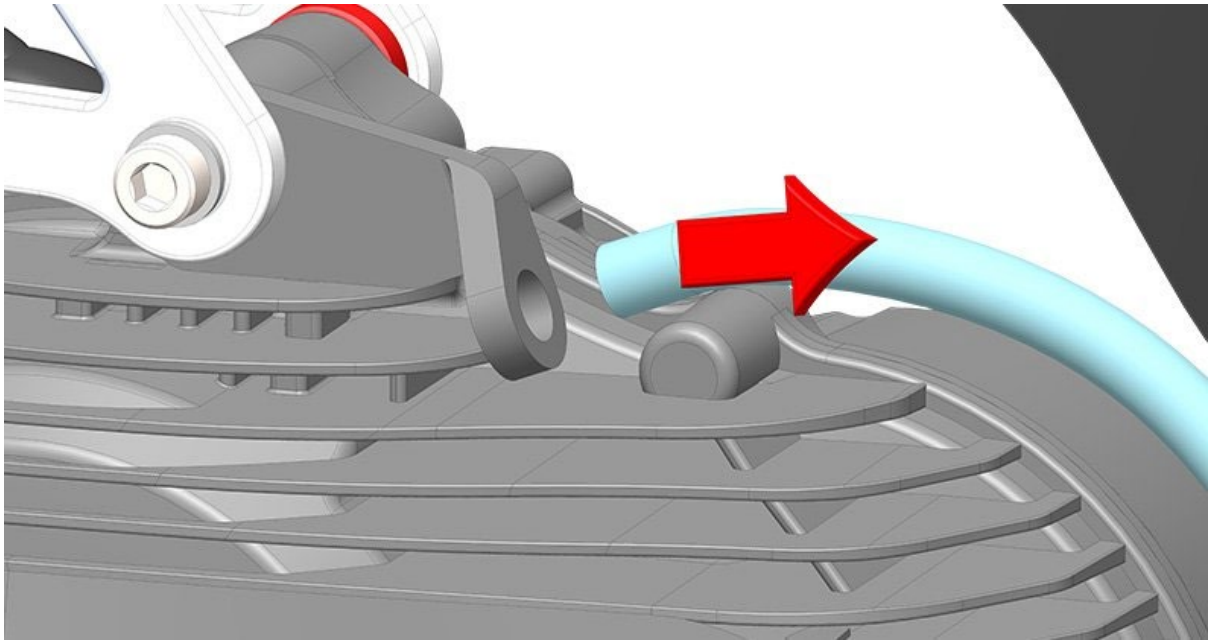
1.2 Loosen the M6 Top Motor Mount Stainless Steel Nylock Nuts by two full turns but do not remove.



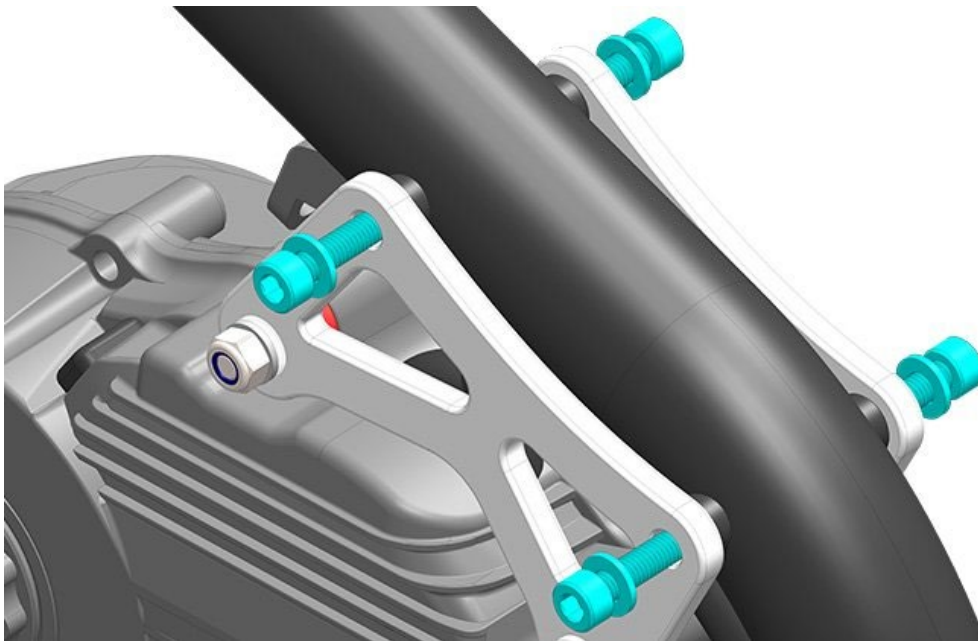
1.3 Remove the Bottom LH Motor Mount Spacer (Anodized Red).



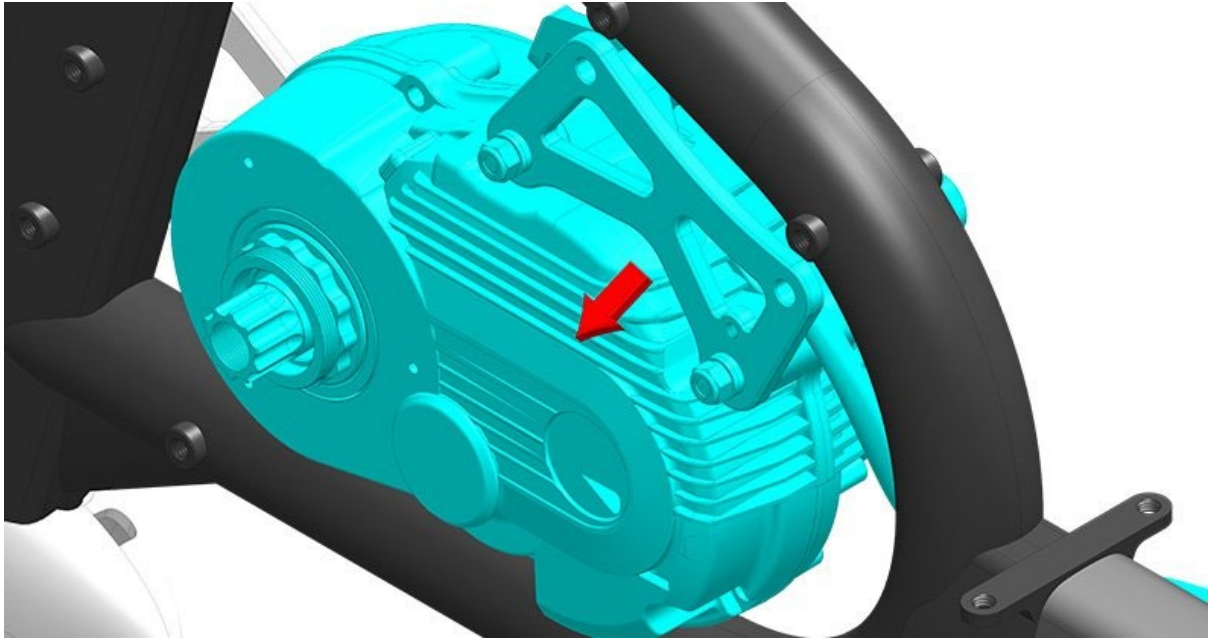
1.4 Pull the Motor Cooling Hose free from the Cooling Outlet Bracket.



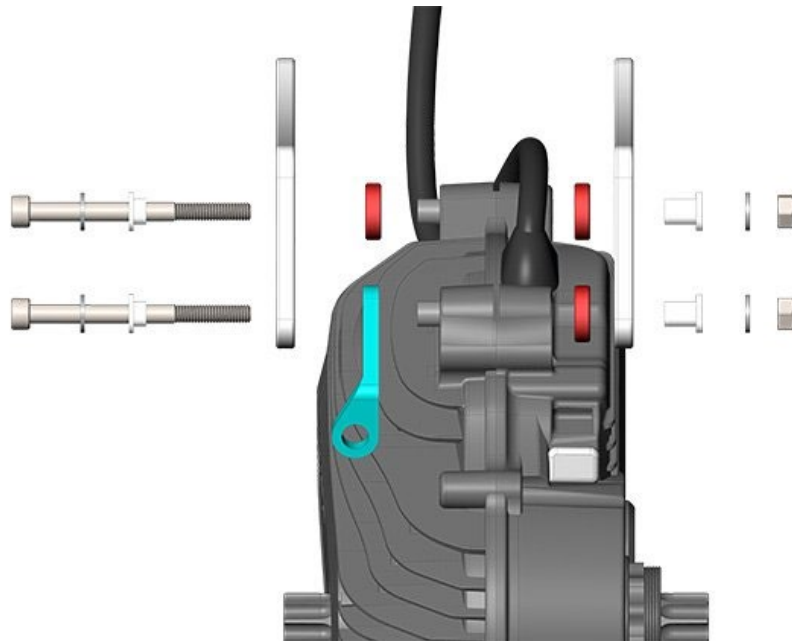
1.5 First loosen all four, then remove the four M6 Aluminium Top Motor Mount Screws with Washers from Frame.



1.6 Remove the Motor with Top Motor Mount Brackets and Cable from the Frame.



1.7 Disassemble the Top Motor Mount Assembly and transfer the Brackets, Spacers, Water Cooling Outlet Bracket (also serving as a spacer) to the replacement Motor.



**INFORMATION:** The Motor Cable is not designed to be transferable from one Motor to the next.