

## REMOVE BOTTOM GEARBOX

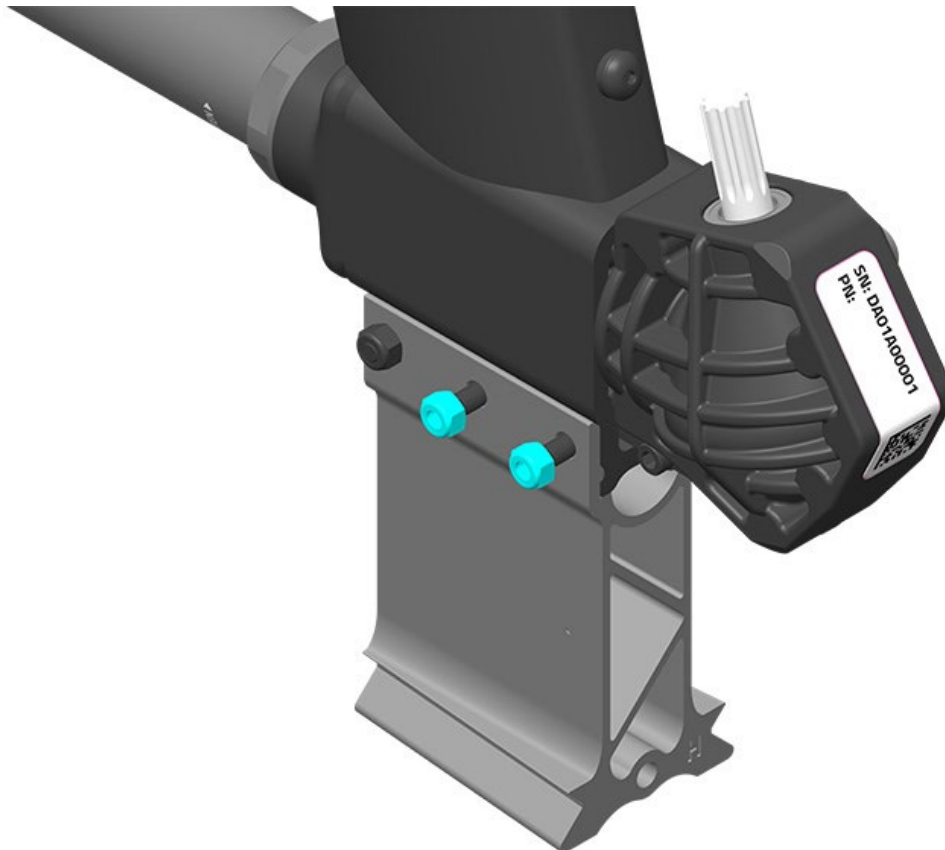
This tutorial shows how to remove the Bottom Gearbox from the XE-1

### 1. Work Instruction - Remove Bottom Gearbox

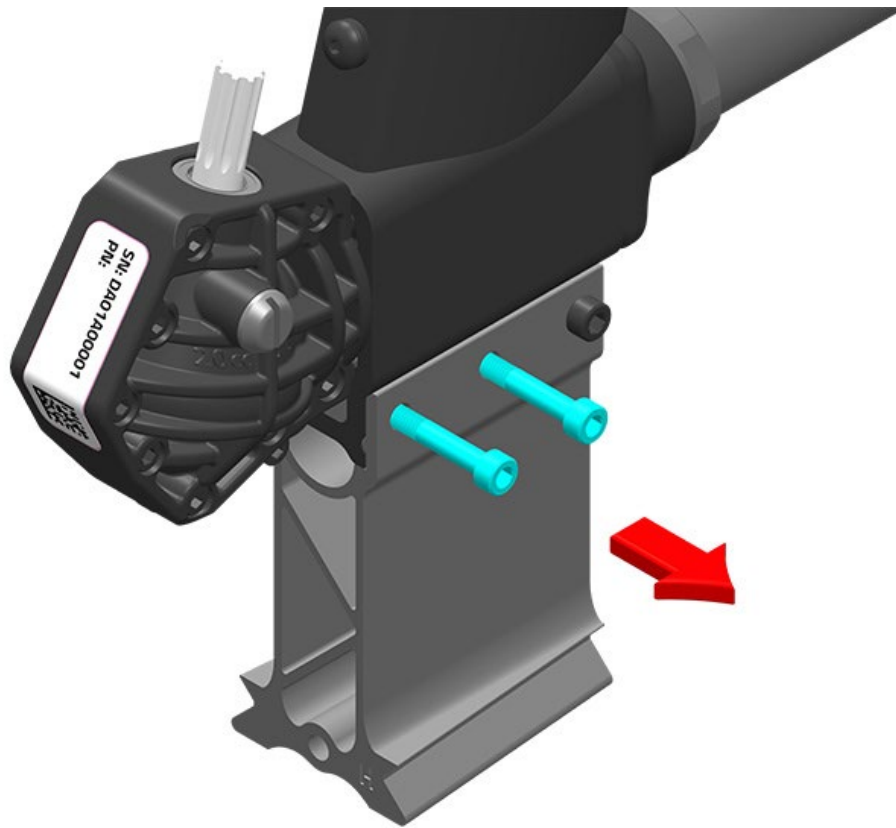
#### TOOLS REQUIRED

ID	Description	Task
	5 mm Hex Drive / Allen Key	Loosen M6 Cap Screws
	10 mm Open / Combination Wrench	Loosen M6 Nylock Nut

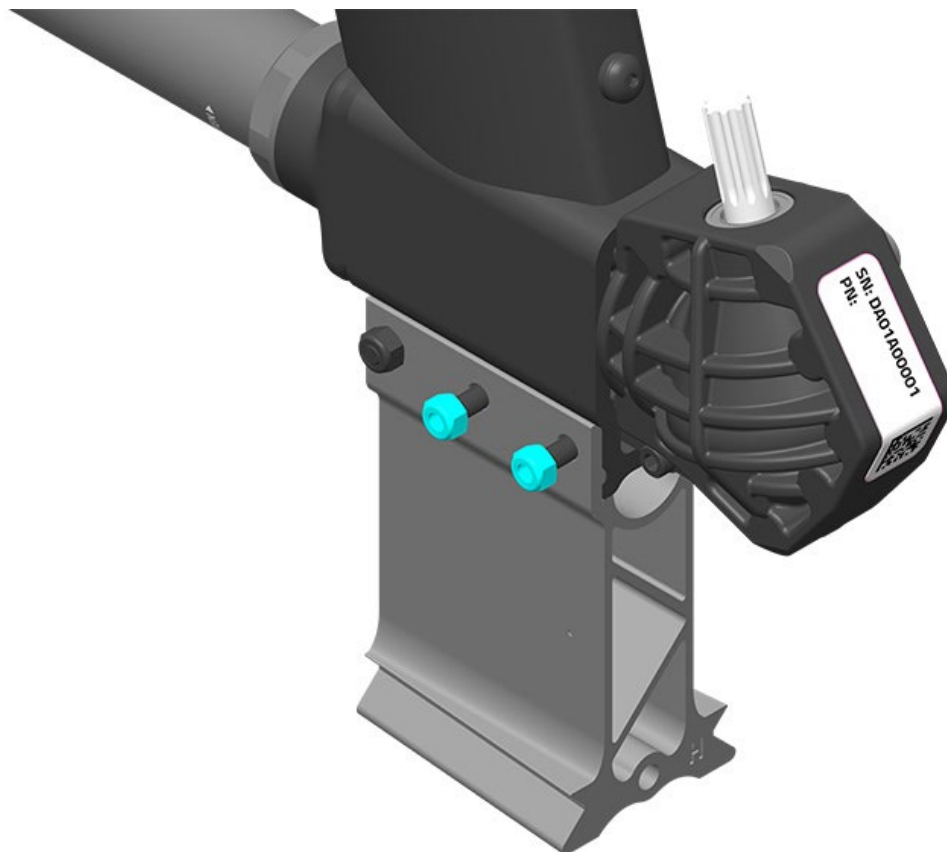
1.1 Loosen and remove the two aft M6 nylock nuts. [Tools: 10 mm Wrench, 5 mm Hex Key]



1.2 Remove the two aft 45 mm length cap screws that lock in the Bottom Gearbox. [Tools: By Hand]



1.3 Remove the Bottom Gearbox from the Frame and disengage the Bottom Gearbox Input Shaft from the Propeller Drive Shaft.



**INFORMATION:** Inspect the Gearbox. If excessive wear and/or damage is detected, it is strongly recommended that the Propeller Drive Shaft Assembly is also removed and inspected.