

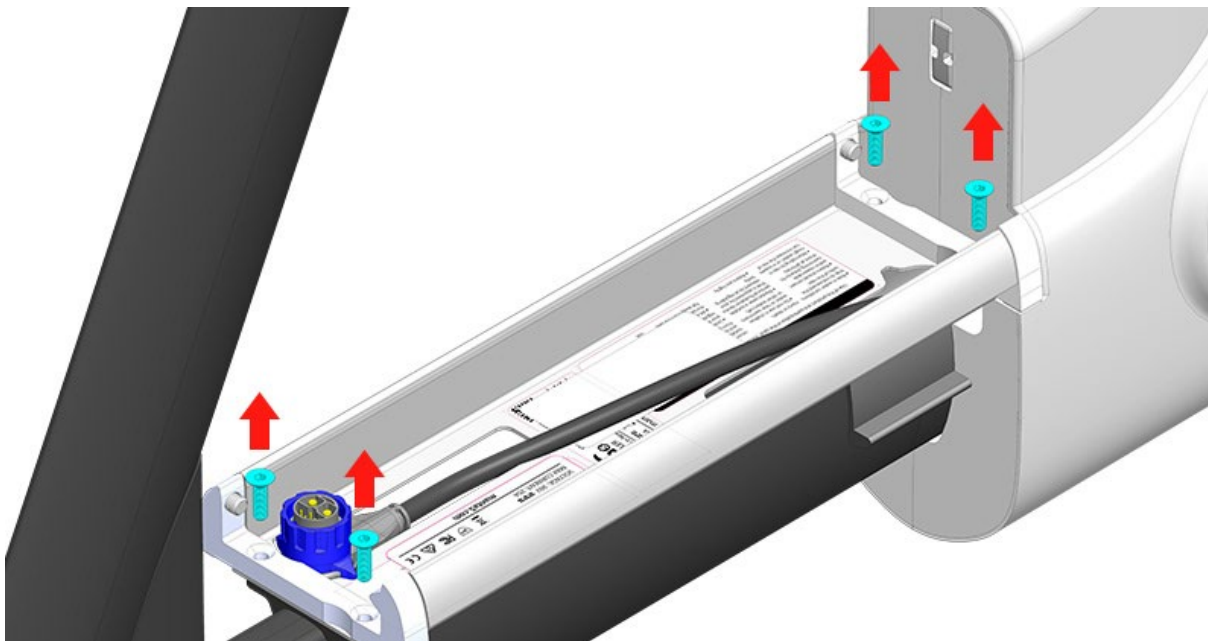
This tutorial shows how to remove the Battery Tray from the XE-1.

1. Remove Battery Tray

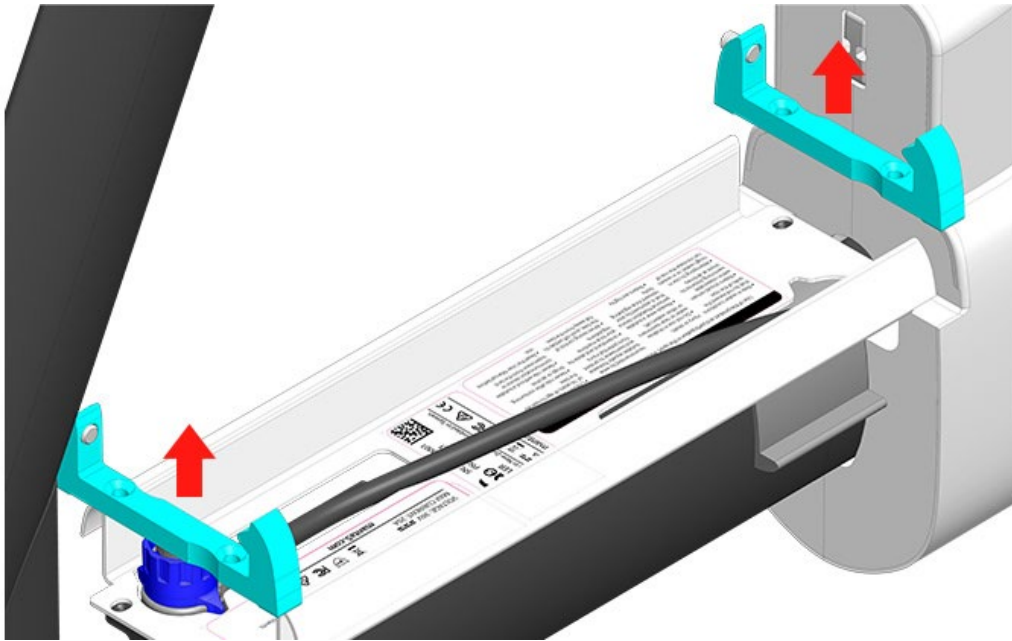
TOOLS REQUIRED

ID	Description	Task
	M4 Hex Key	Remove M6 Countersink Head Screws from Battery Latches

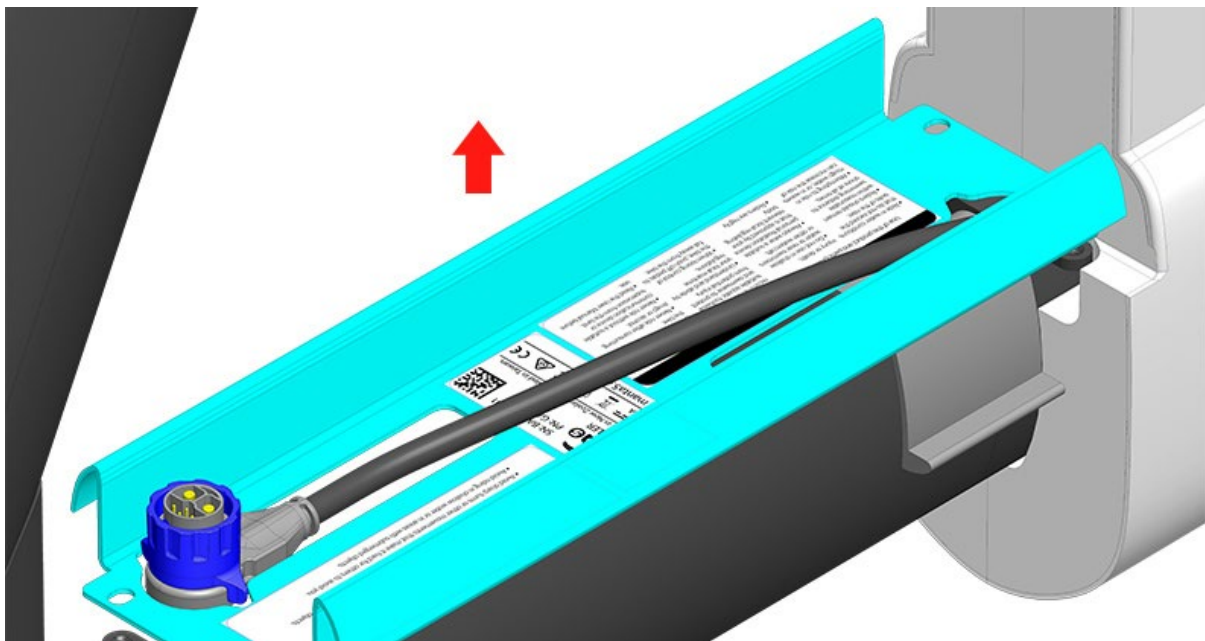
1.1 Loosen and remove the M6 countersink head screws with a M4 Hex Key.



1.2 Remove the Battery Latches. The Set Screws can remain in place if the Battery Latches are to be re-used.



1.3 Remove the Battery Tray. The Connector Assembly Plug can fit through the matching shape in the battery tray slot to release the Battery Tray.



INFORMATION: The cable with Connector Assembly Plug is permanently attached to the Motor and is not removed in this step.

1.4 The Stirrup can now be removed from the Frame if required.

