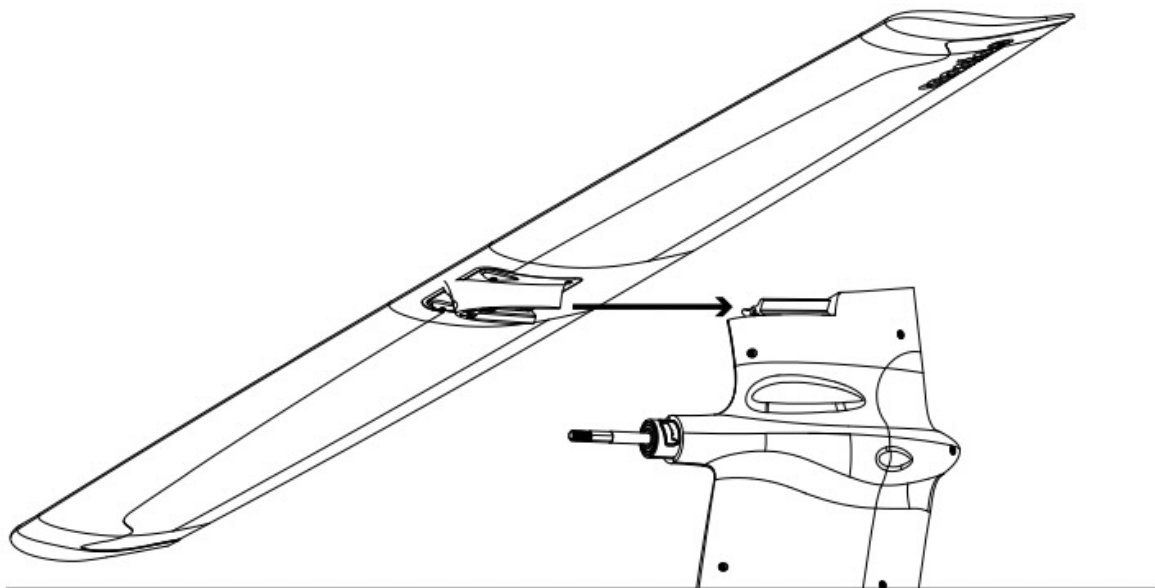


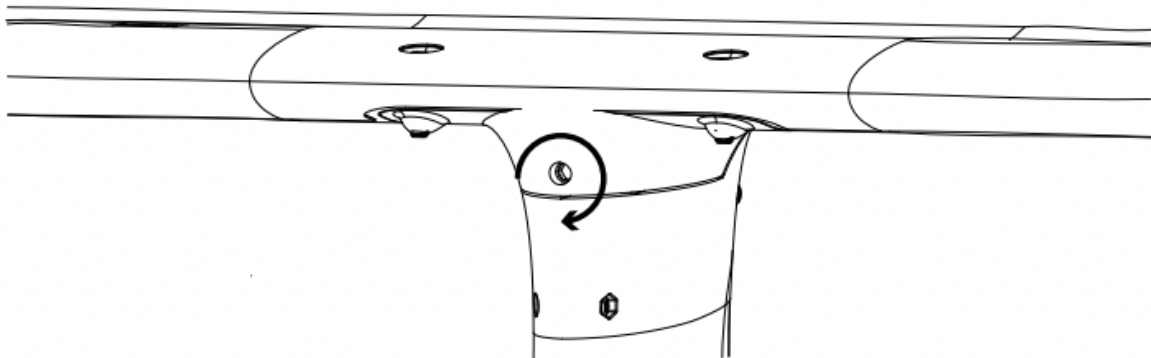
Fit rear foil

This work instruction covers how to fit the rear foil to the Hydrofoiler XE-1.

ID	Tools Required	Task
	M6 Hex Key	Tighten rear foil screw to secure to bike frame.



1. Holding the foil horizontal and upside-down, slide the bayonet shoe onto the bayonet upright. NOTE: It will not fully assemble until the captive screw is tightened using the 6 mm hex key.



2. Using the M6 Hex Key tighten the captive cap-screw, which secures the foil to the frame.