

FIT STRUT COWLING WITH COOLING HOSE

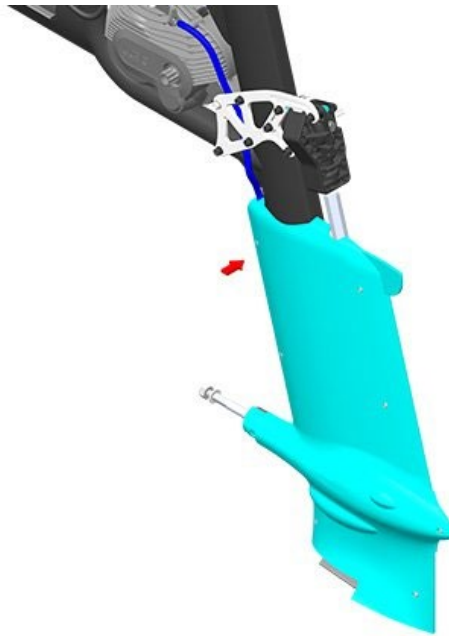
This tutorial shows how to fit the strut cowling with the cooling hose to the XE-1.

1. Fit Strut Cowling with Cooling Hose

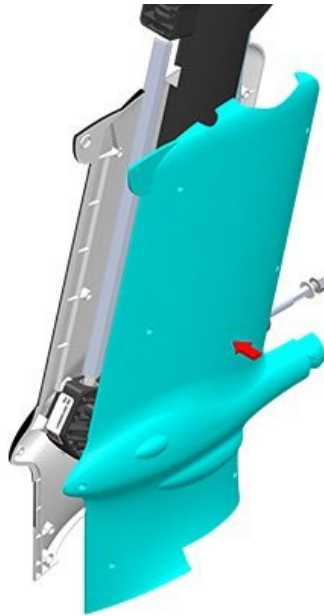
TOOLS REQUIRED

| ID | Description | Task |
|----|--------------|---------------|
| | Hex Key 3 mm | M4 Cap Screws |

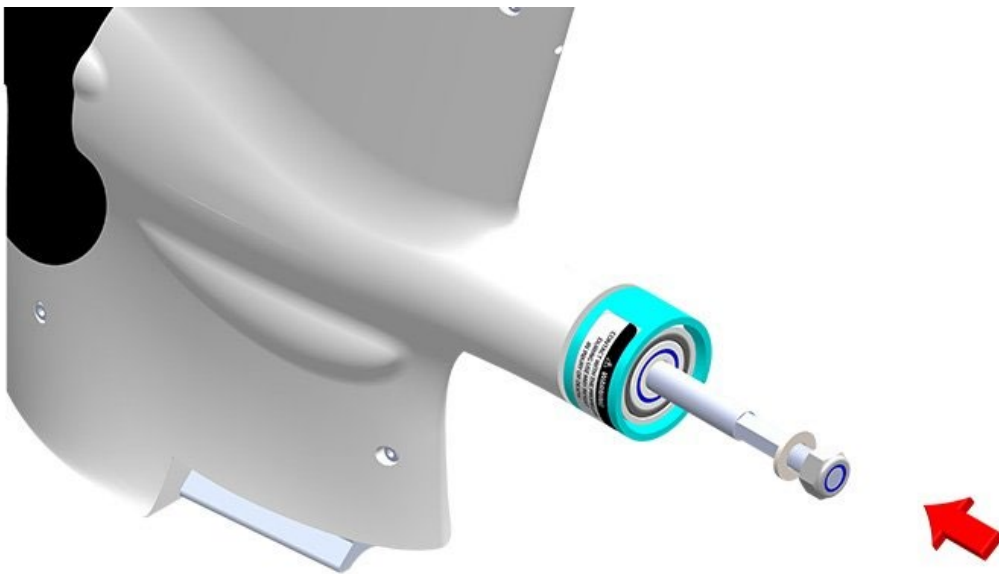
1.1 Thread the Cooling Hose through the cowling cut out and behind the Bottom LH Motor Mount Bracket. Position the LH Strut Cowling with features aligning with Propeller Drive Shaft Hub, Bottom Gearbox and Frame.



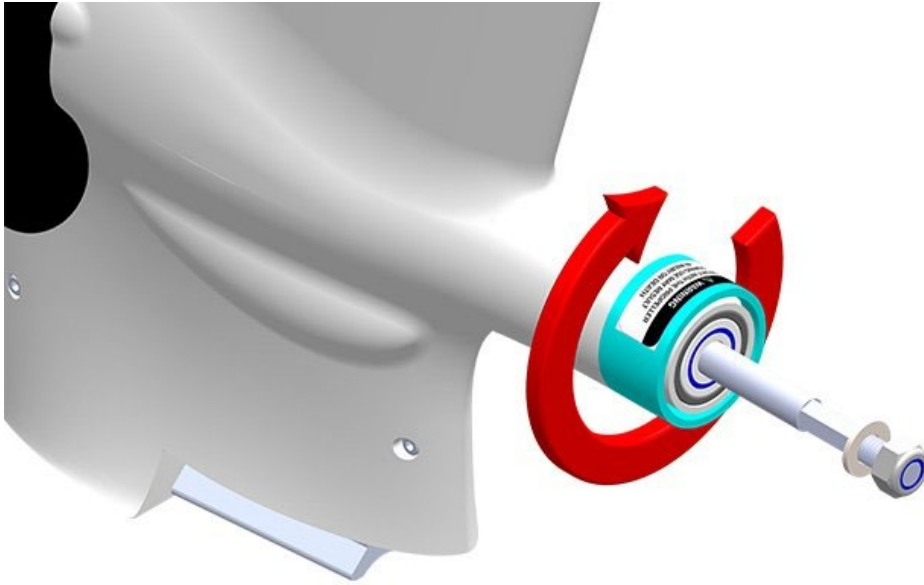
1.2 Position the RH Strut Cowling to align with the LH Strut Cowling. Gently push the bottom of the trailing edges of the two cowling halves together until you hear a clicking sound as the trailing edges interlock.



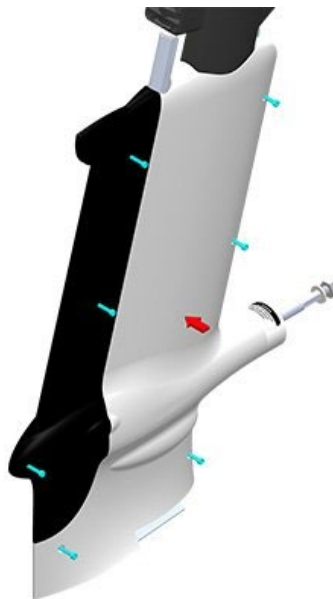
1.3 With the two internal molded locking boss features of the Prop Collar facing the Strut Cowling and aligned in the 11 & 5 o'clock position, push the Prop Collar into place while holding the two Strut Cowling halves together.



1.4 Rotate the Prop Collar clockwise (by hand only) through approximately 70 degrees until the lock stop is reached.



1.5 With the M4 Nylock Nuts held in the nut pockets of the LH Strut Cowling, fix the two Strut Cowling halves in place by fitting and fastening the seven M4X20 stainless steel cap screws to a torque value of 2.5 to 3 Nm. [Tools: M3 Hex Drive].



1.6 Push the Cooling Hose into the Cooling Hose Bracket and check that the hose is free of any obstruction that may prevent the free flow of cooling water onto the motor.

