

FIT STEERING FORK ASSEMBLY

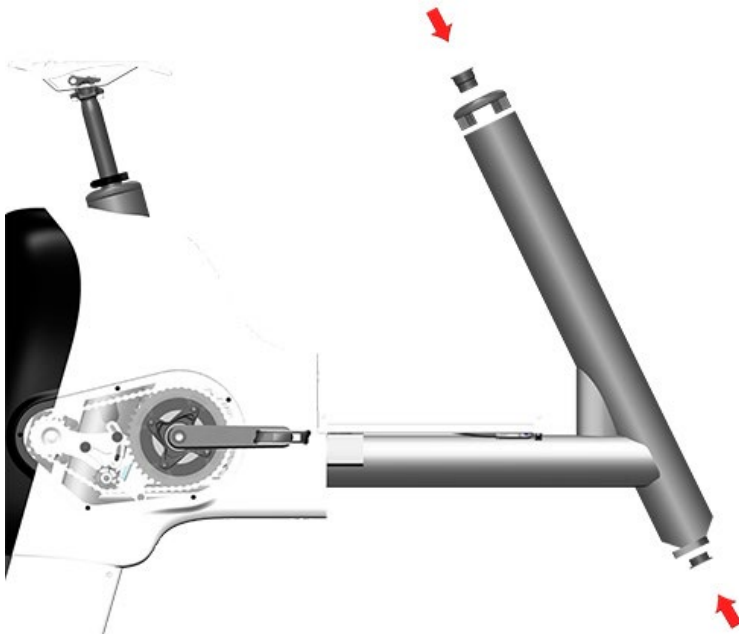
This tutorial shows how to fit the steering fork assembly onto the XE-1.

TOOLS REQUIRED

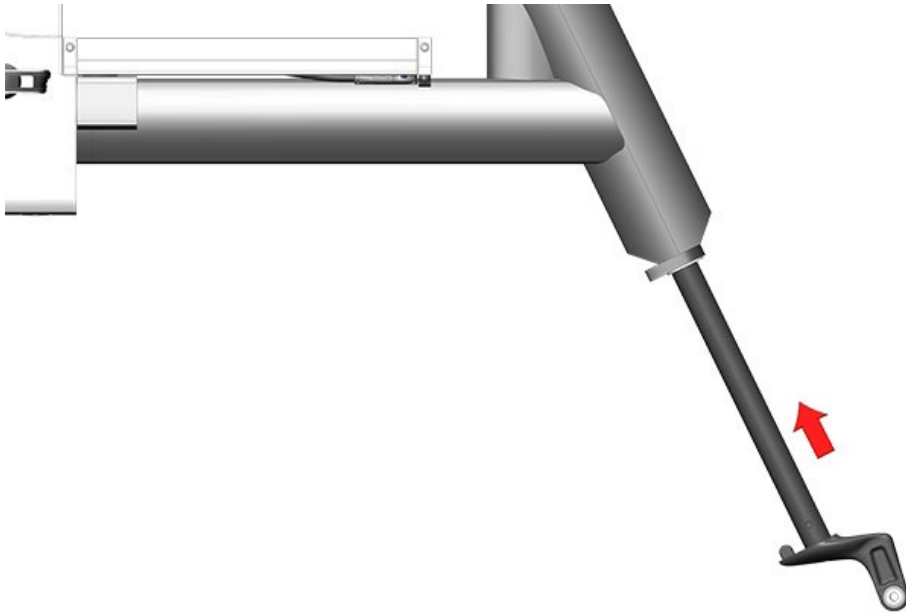
ID	Description	Task
	M5 Hex Key	M5 Cap Screws - Steering Tube Clamp

1. Work Instruction - Fit Steering Fork Assembly with bearings

1.1 Press fit the Aero Frame End Cap to the Frame Steering Tube fit the Top and Bottom Steering Tube Bushes.

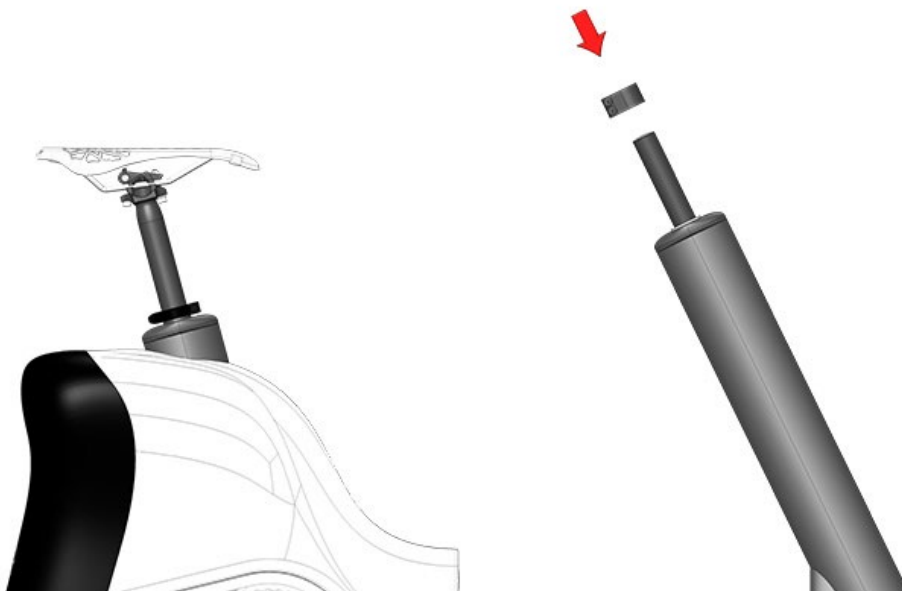


1.2 Insert the Steering Fork Assembly with Bearings into the Frame without dislodging the bushes.



CAUTION: Take care not to let the Stem slide down the Steering Tube to avoid the risk of the Stem scratching the coating on the Steering Tube.

1.3 With the Steering Tube pushed up against the bushes mount the Steering Tube Clamp to the Steering tube.



1.4 With the Fork Leg pointing forward, align and fasten the Steering Tube Clamp screws (2 x M6 Cap Screws) to a torque value of 5 Nm with a M5 Hex Key.

