

## FIT RH LOWER MOTOR MOUNT BRACKET

This tutorial shows how to fit the RH Lower Motor Mount Bracket into the XE-1.

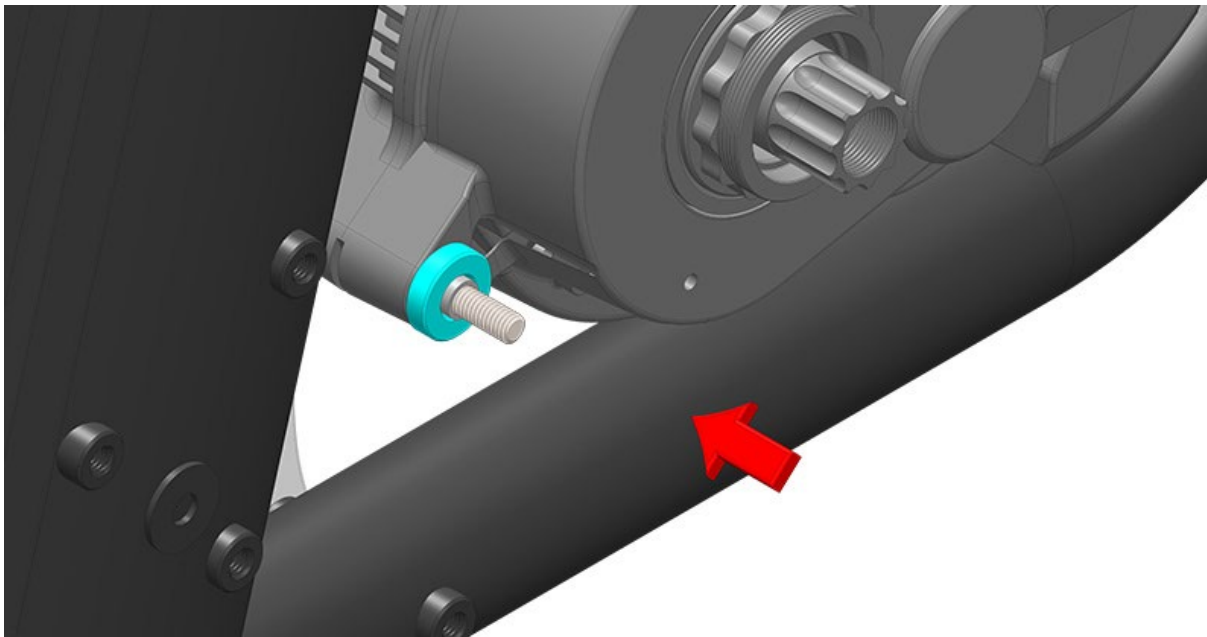
**THIS TASK CAN BE ONLY PERFORMED BY MANTA5 SERVICE AGENTS, BIKE MECHANICS (OR EQUIVALENT) WITH FULLY EQUIPPED WORKSHOP.**

### 1. Work Instruction - Fit RH Lower Motor Mount Bracket.

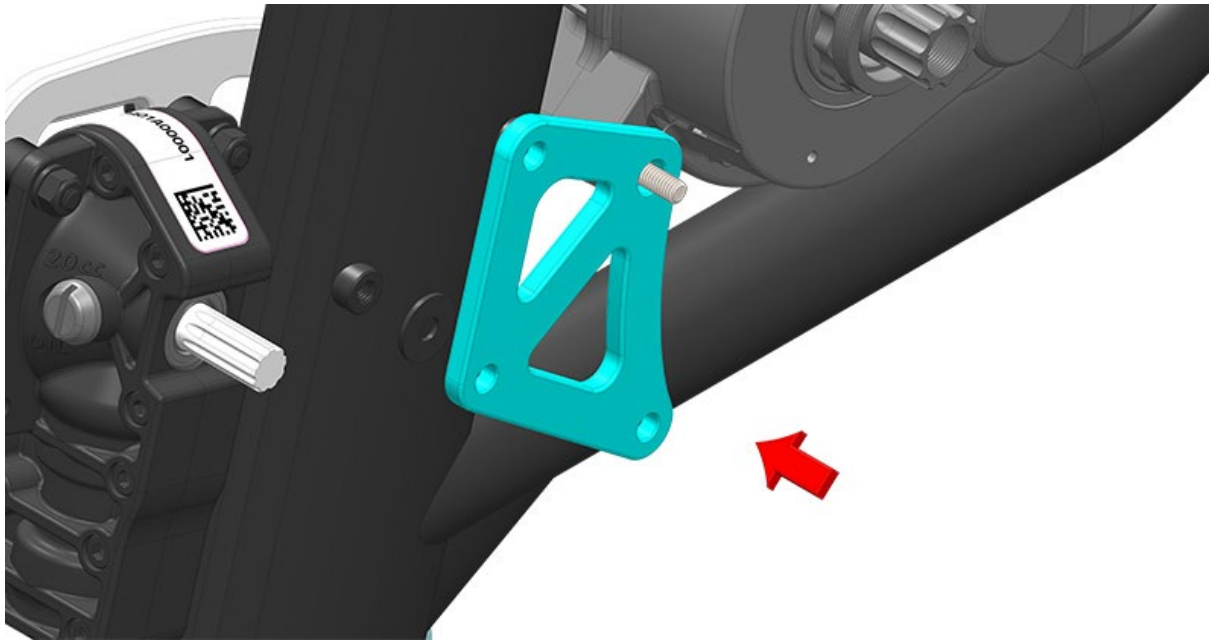
#### TOOLS REQUIRED

ID	Description	Task
	M5 Hex Key	Fasten M6 Cap Screws
	10 MM Open/Combination Wrench	Fasten M6 Nylock Nut
HP00162	LOCTITE 242	Fasten M6 Cap Screw to Frame

1.1 Place the Motor Mount Spacer (anodized red color) onto the 70mm long M6 Stainless Steel Screw with Sleeve.

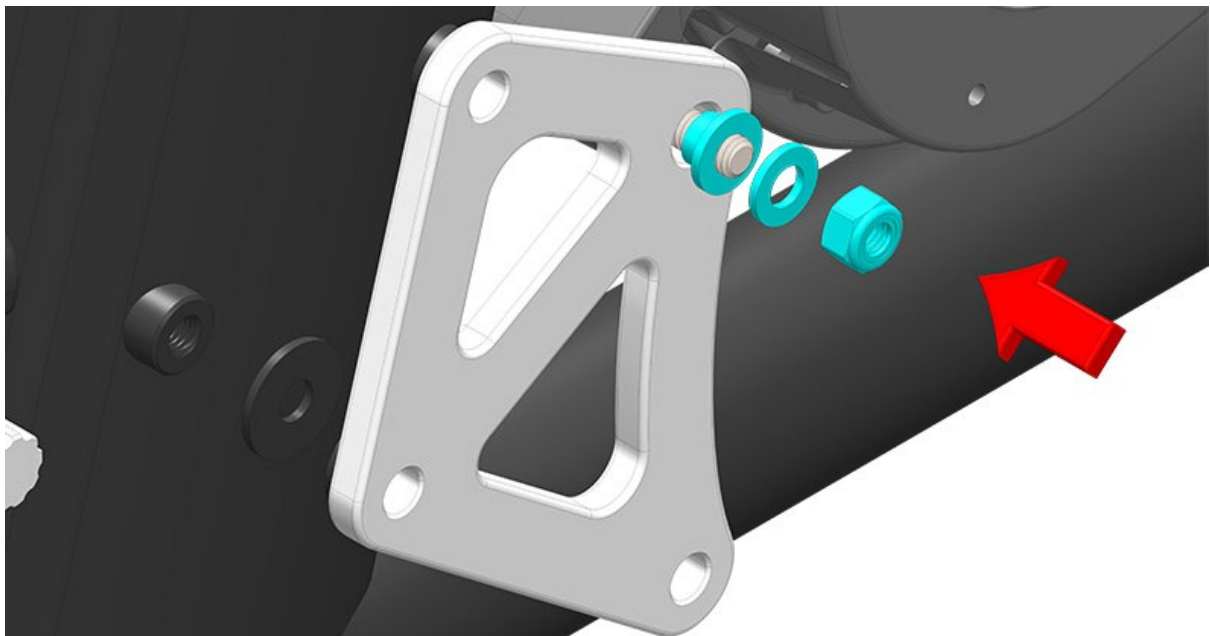


1.2 Position the RH Lower Motor Mount Bracket onto the screw and in alignment with the threaded holes of the Frame.



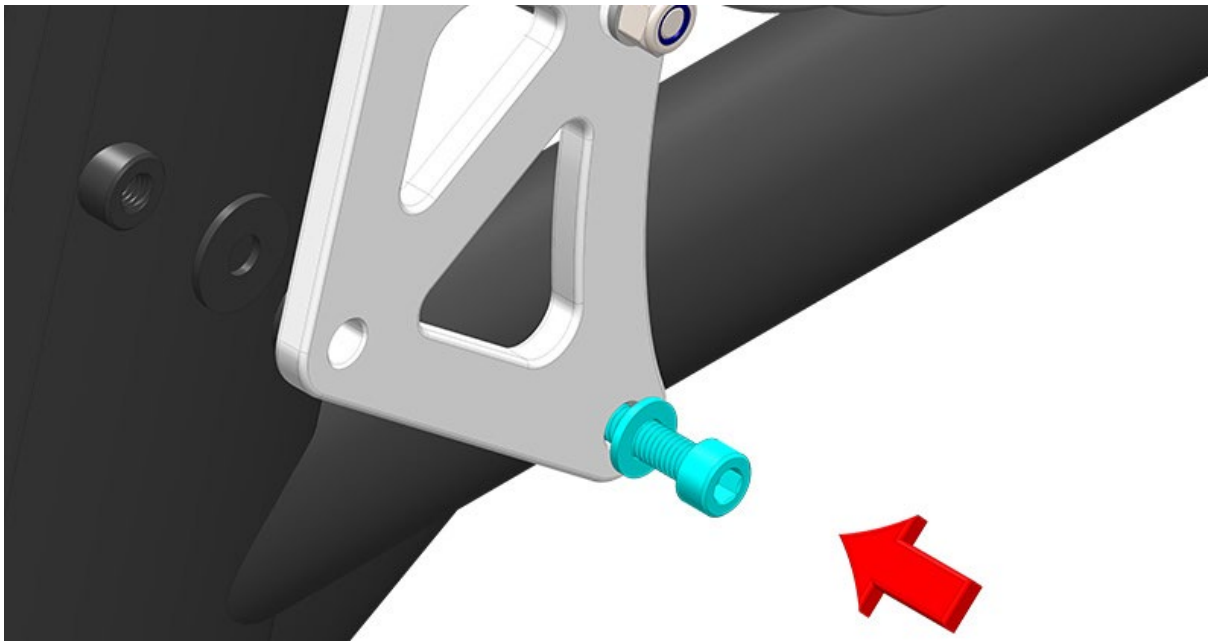
**INFORMATION:** The bracket must be oriented so that the curved part of the bracket is in the bottom right hand position.

1.3 Loosely assemble the short Nylon Sleeve (bush with shoulder), M6 Stainless Steel Washer and M6 Stainless Steel Nylock Nut to the 70 mm length M6 Stainless Steel.

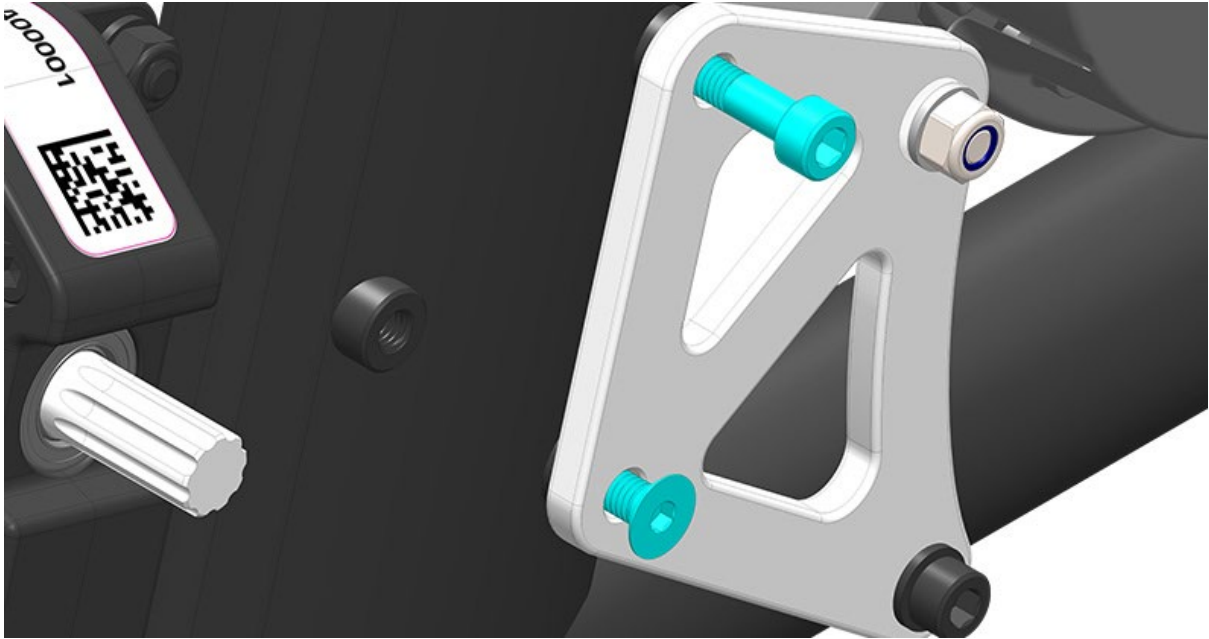


**INFORMATION:** The Nylon Sleeve fits inside the bracket with the shoulder flush against the outer (RH) surface of the RH Lower Motor Mount Bracket.

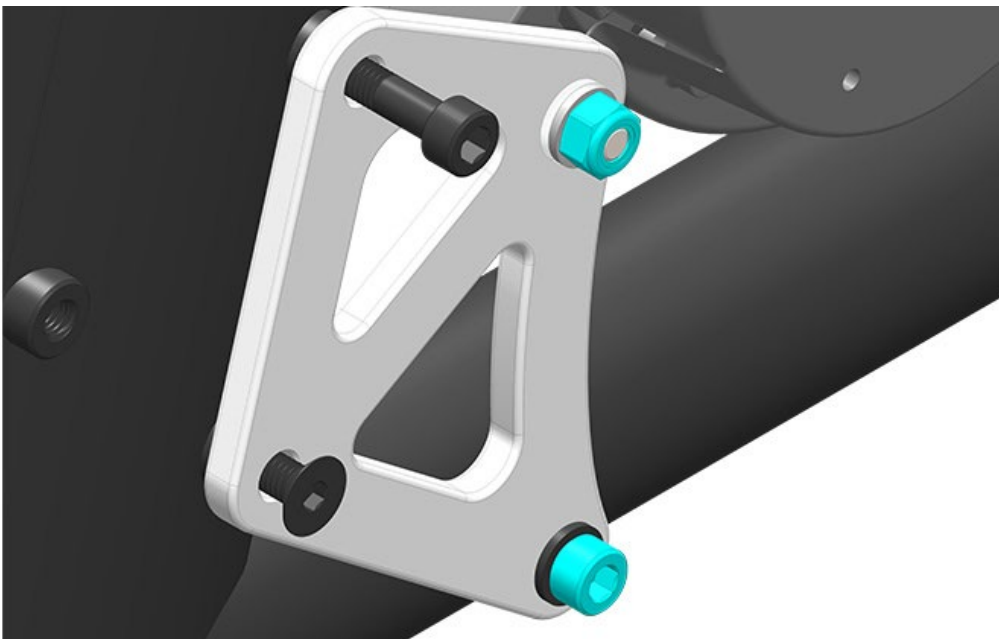
1.4 Apply medium strength Loctite 242 thread locker to the thread and loosely fit the M6 x 25 mm Cap Screw with M6 Washer in the bottom hole position.



1.5 Fit two M6 placeholder screws into the two unused holes on the left-hand side of the bracket. This will ensure alignment of the components.

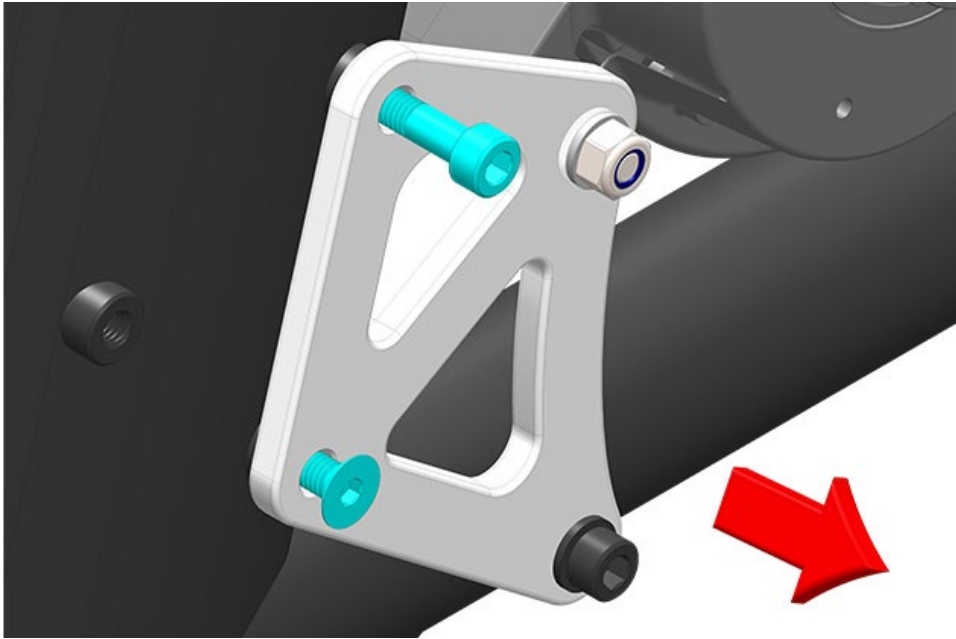


1.6 With the placeholder screws in place, fasten the M6 Cap Screw and SS Nut to a torque value of 5 Nm.



**INFORMATION:** The Nylon Sleeve fits inside the bracket with the shoulder flush against the outer (RH) surface of the RH Lower Motor Mount Bracket.

1.7 Remove the two placeholder screws.



1.8 Fit RH Lower Motor Mount Bracket completed.

