

## FIT PROPELLER DRIVE SHAFT ASSEMBLY

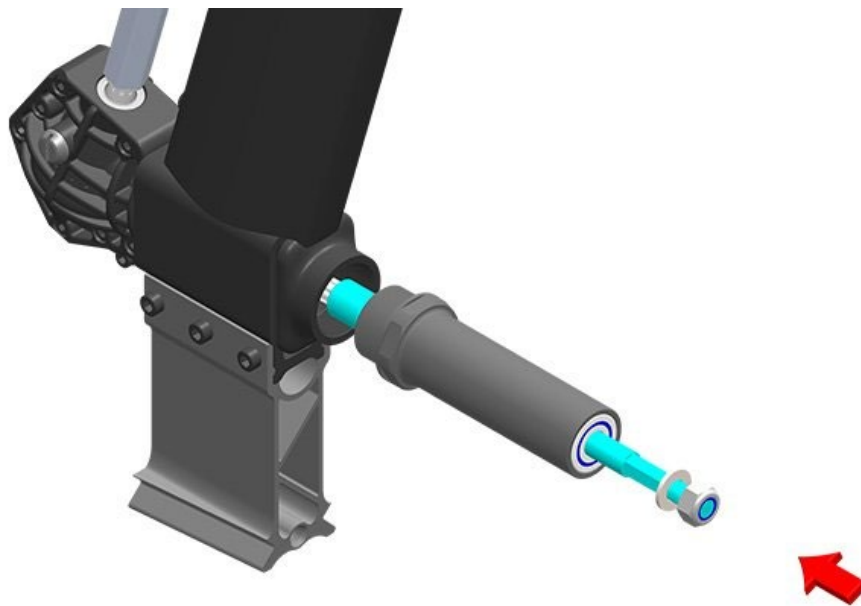
This tutorial shows you how to fit the propeller drive shaft to the XE-1.

### 1. Fit Propeller Drive Shaft Assembly

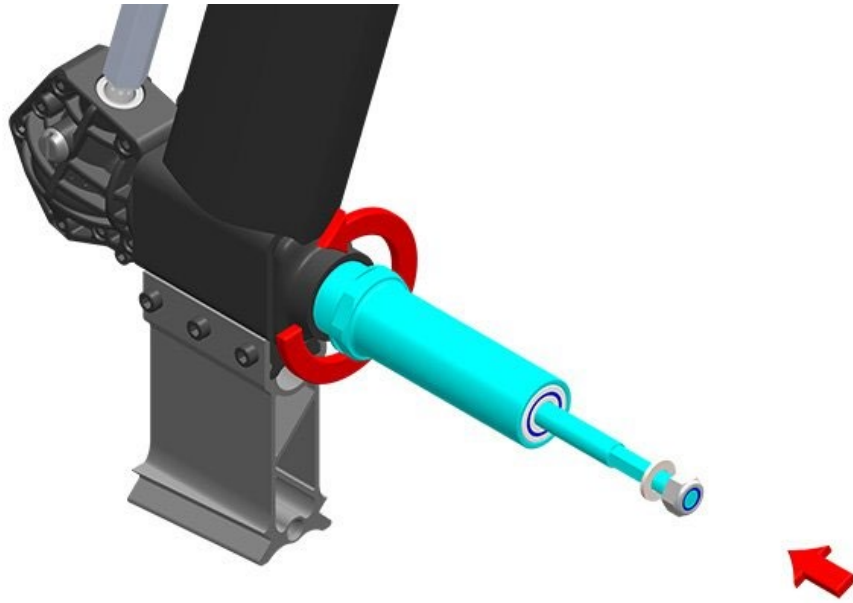
#### TOOLS REQUIRED

ID	Description	Task
	40 mm Open Wrench	Fasten Propeller Drive Shaft Hub

1.1 Apply Tef-Gel (or equivalent) to the internal spline of the Propeller Drive Shaft. Align the Propeller Drive Shaft with Gearbox Output Shaft Spline and push the Propeller Drive Shaft onto the Gearbox Input Shaft. [Tools: By Hand Only]



1.2 Apply Tef-Gel to the thread of the Propeller Hub. Fasten the Propeller Hub screwing it into the frame by rotating anti-clockwise as this is a Left-Hand thread. [Tools: 40mm Open Wrench]



**INFORMATION:** The Left-Hand thread of the Propeller Hub ensures that it is self-tightening while the Propeller is driven. With the fine thread extra caution must be taken not to cross thread with that of the Frame. To find the beginning of the thread, slowly rotate the Hub clockwise until you can feel it step off the first thread. Now rotate anti-clockwise to fasten. No torque value is specified, but strong hand tight will be sufficient as the minimum torque required.