

FIT MOTOR & CABLE ASSEMBLY

This tutorial shows how to fit Motor and Cable Assembly into the XE- 1.

THIS TASK CAN BE ONLY PERFORMED BY MANTA5 SERVICE AGENTS, BIKE MECHANICS (OR EQUIVALENT) WITH FULLY EQUIPPED WORKSHOP.

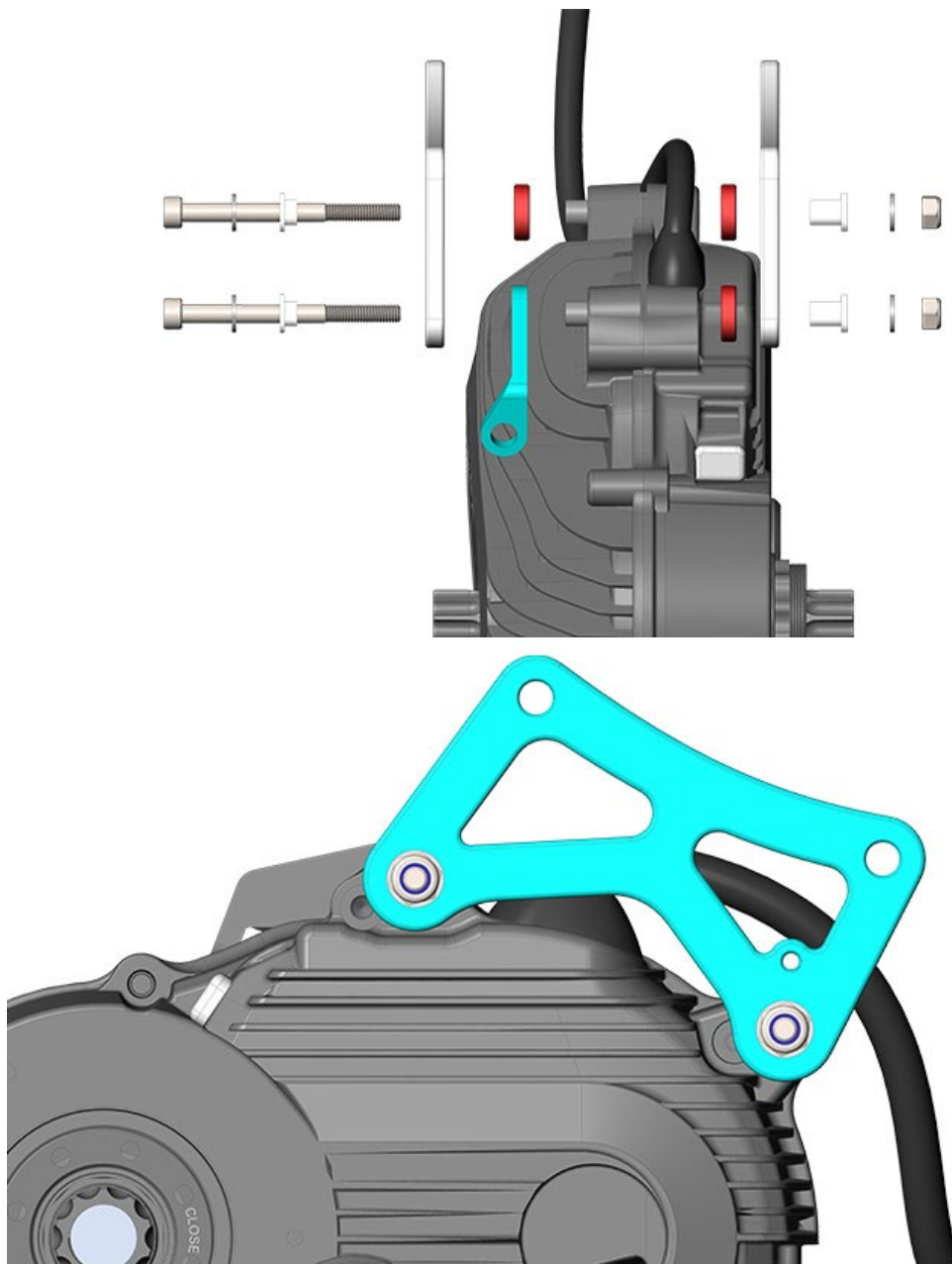
1. Work Instruction - Fit Motor and Cable Assembly.

TOOLS REQUIRED

ID	Description	Task
	M5 Hex Key	Fasten M6 Cap Screws
	10 MM Open/Combination Wrench	Fasten M6 Nylock Nut
HP00162	LOCTITE 242	Fasten M6 Cap Screw to Frame

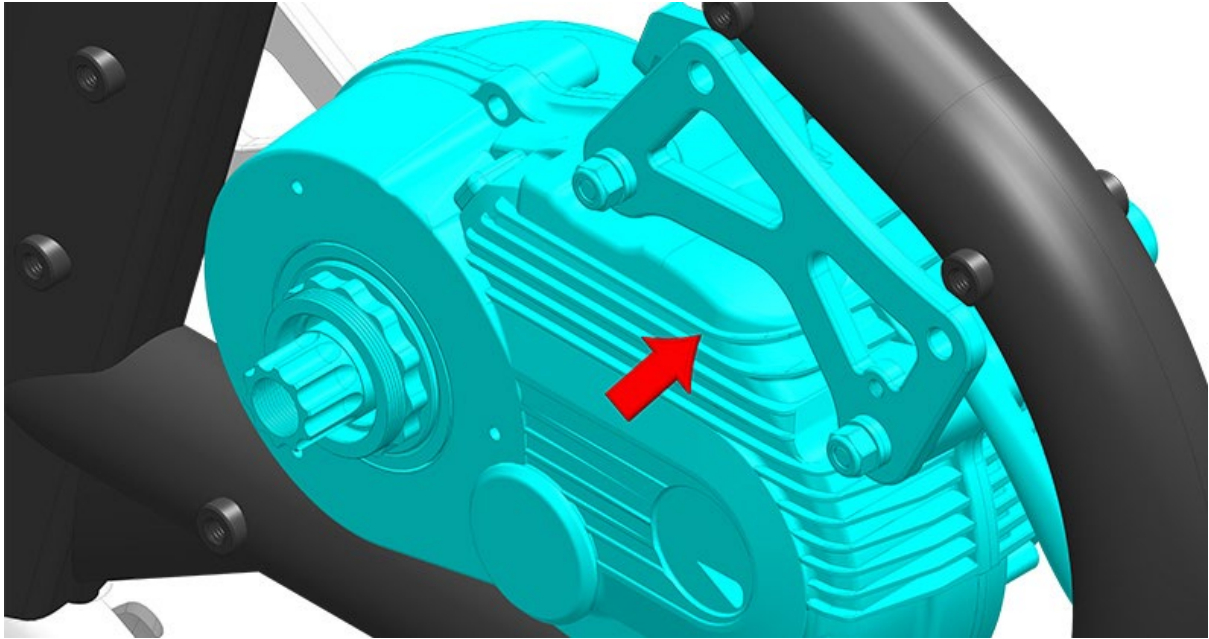
INFORMATION: Read all information and refer to the supplied image for each step of the process before you proceed.

1.1 If not already done, transfer then loosely assemble Top Motor Mount Brackets with Water Cooling Outlet Bracket in the left aft position.

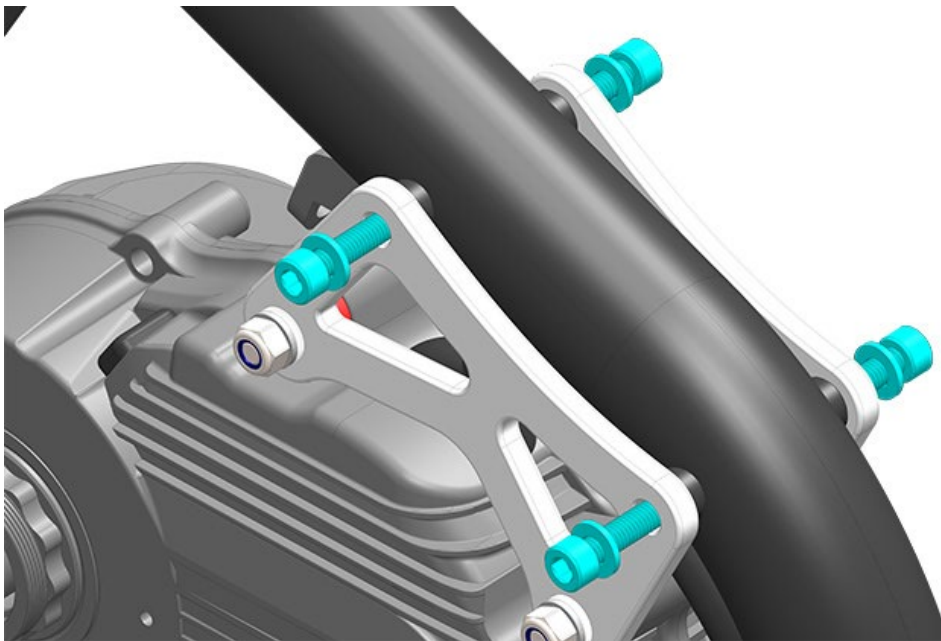


INFORMATION: The brackets are fitted with the short side at the front and the taller side at the rear.

1.2 Position the Motor & Cable Assembly in the Frame with the Cable facing forward passing on the left-hand side of the frame.

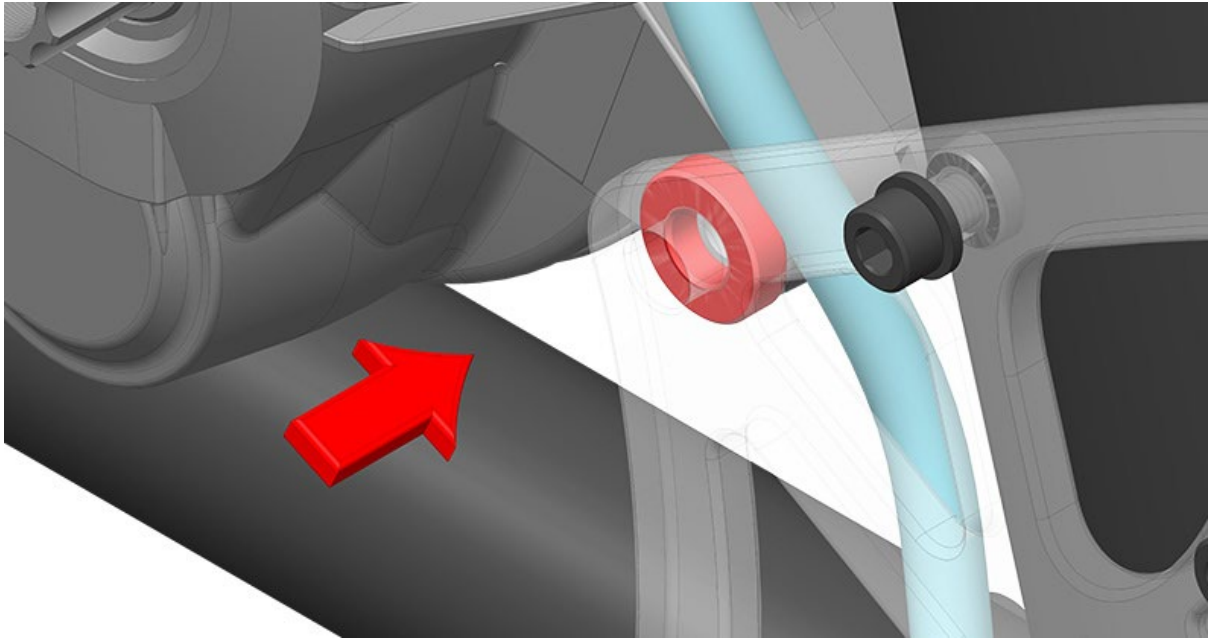


1.3 Apply Loctite 242 thread locker to the screw threads and loosely fit the four M6 Top Motor Mount Cap Screws with Washers to the Frame.

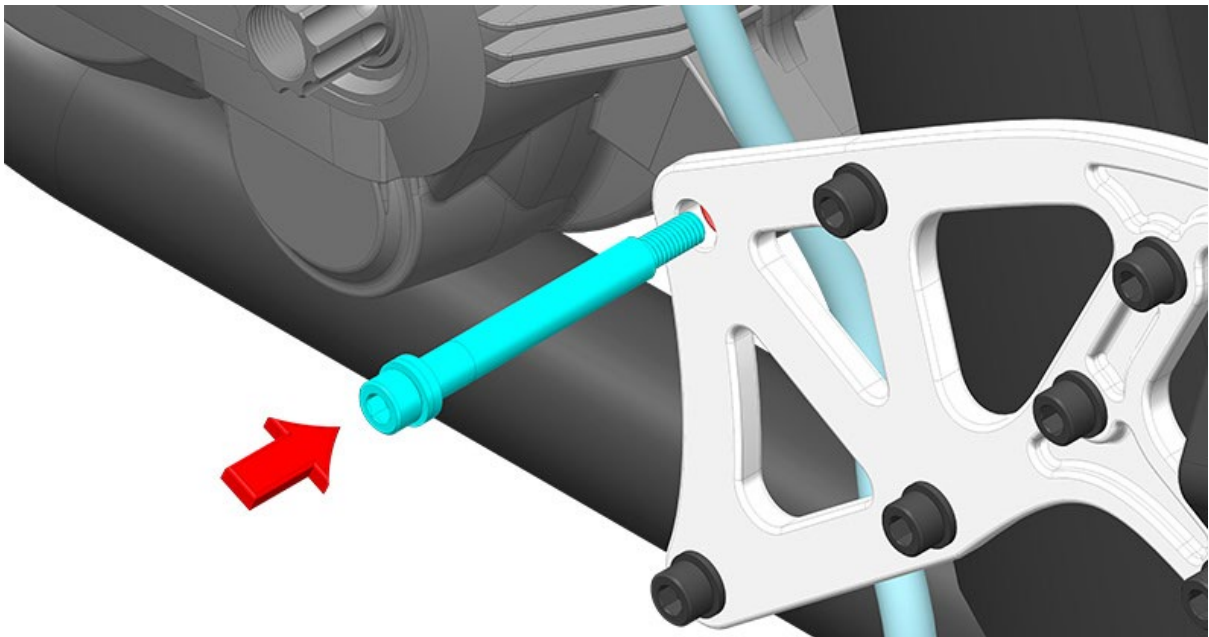


INFORMATION: To ensure alignment of the Drive Drain, the Top Motor Mount fasteners will be fastened later when both the LH and RH Lower Motor Mount Brackets are in place.

1.4 Position and hold the LH Lower Motor Mount Spacer (Anodized Red) between the Lower LH Motor Mount and Lower Motor Mount with the cooling hose passing behind the spacer.

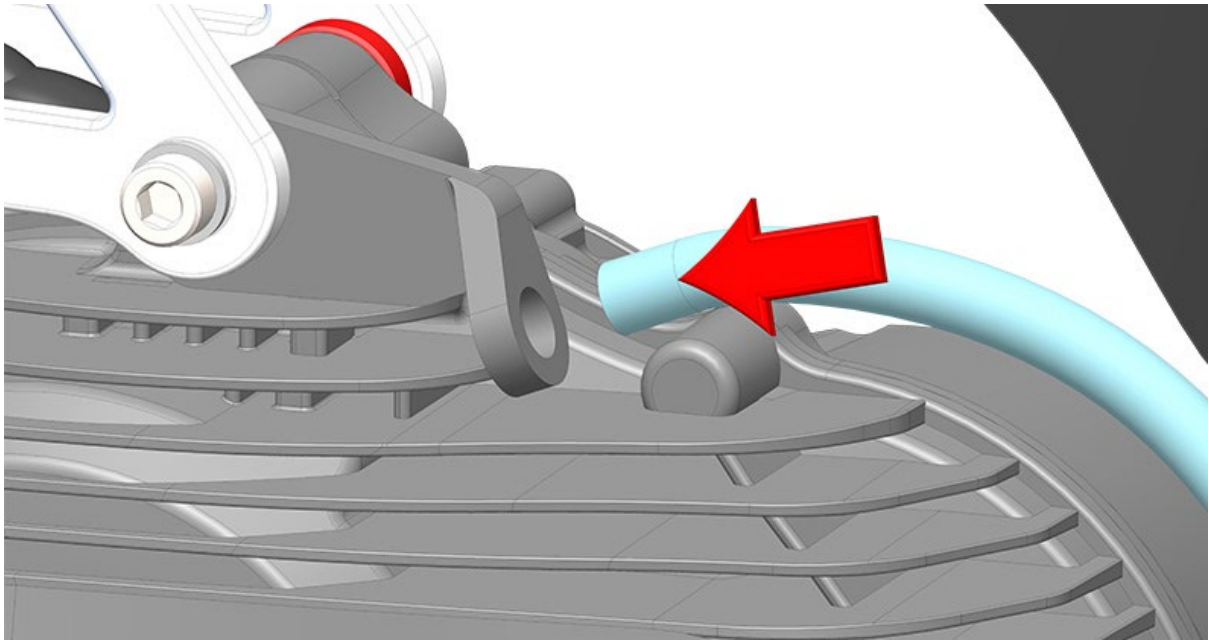


1.5 Fit the Lower Motor Mount Screw (70 mm length M6 Stainless Steel) with SS washer. Sleeve with shoulder and Long Sleeve through the Lower Left-Hand Motor Mount bracket, Motor Mount Spacer and Lower Motor Mount.

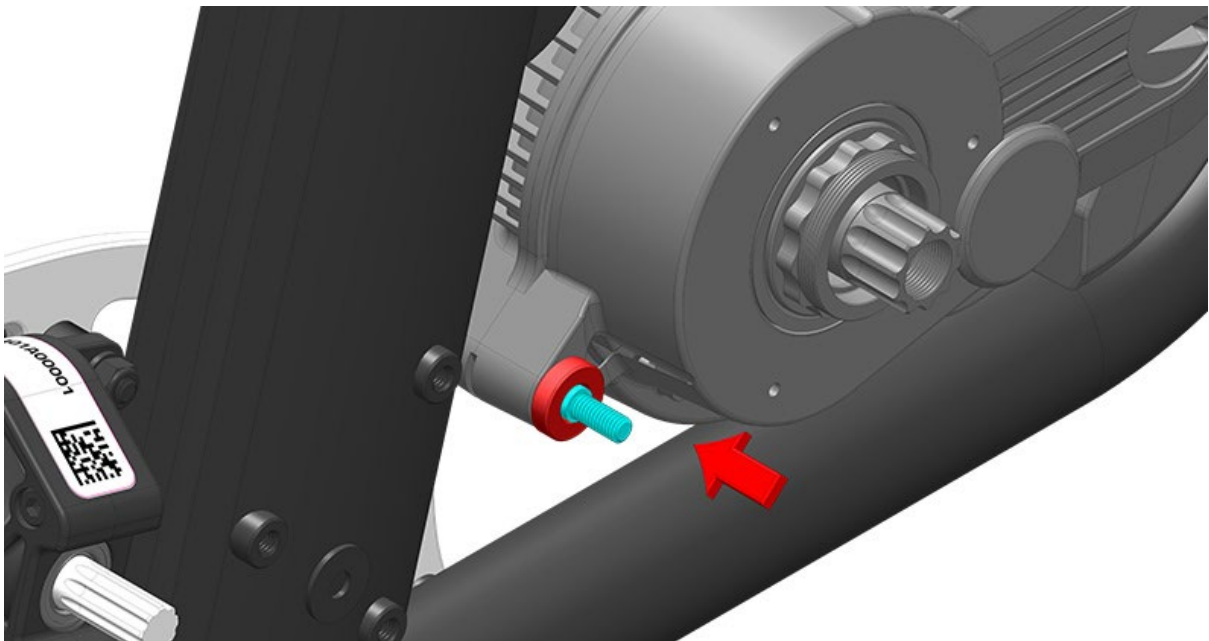


INFORMATION: Ensure that the screw is pushed in all the way so that the end of the long sleeve appear on the right-hand side.

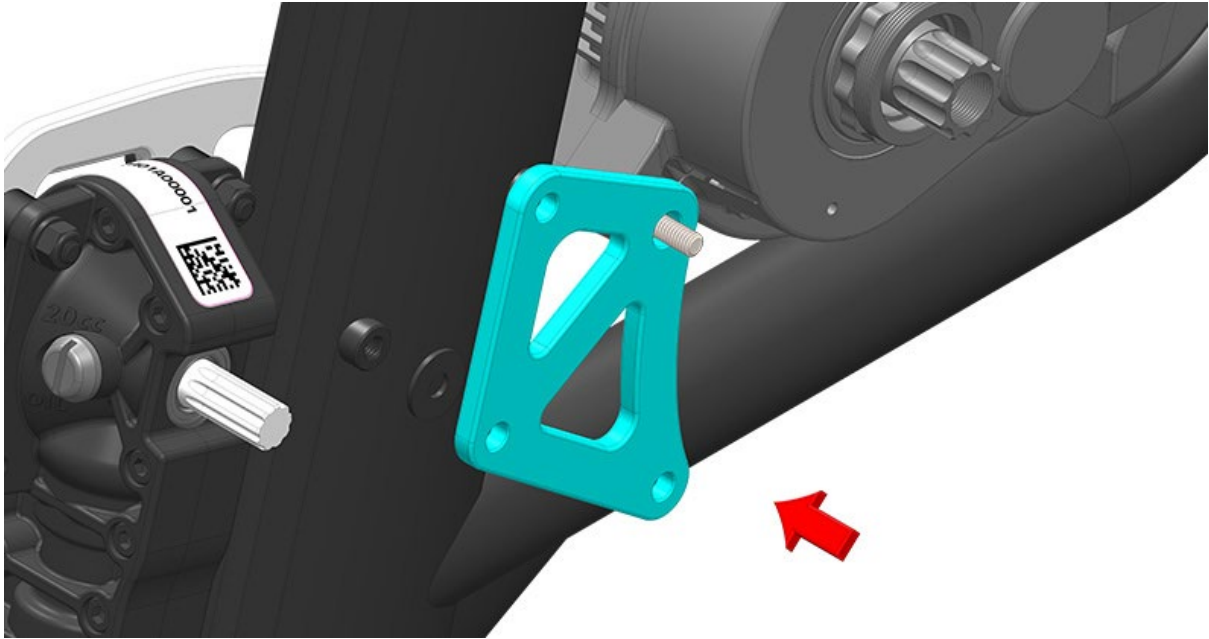
1.6 Insert the end of the Water Cooling Hose through the hole in the Water Cooling Bracket so that it makes contact with the Motor Cooling Fins.



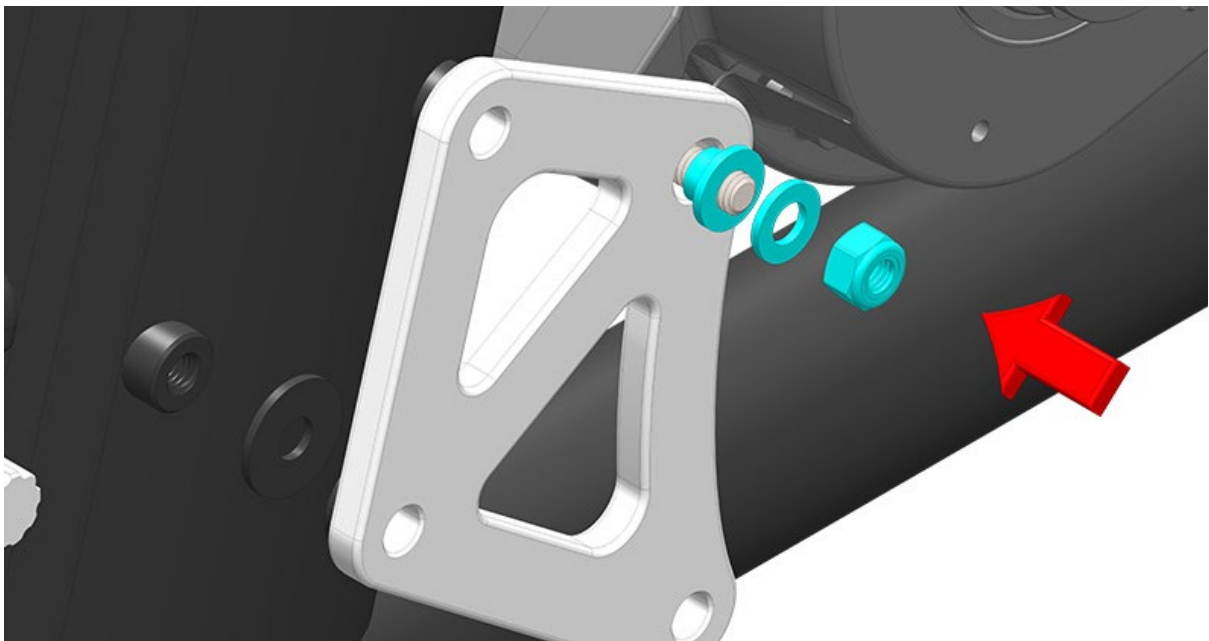
1.7 Position a Motor Mount Spacer (anodized red color) onto the Lower Motor Mount Screw over the end of the Long Sleeve.



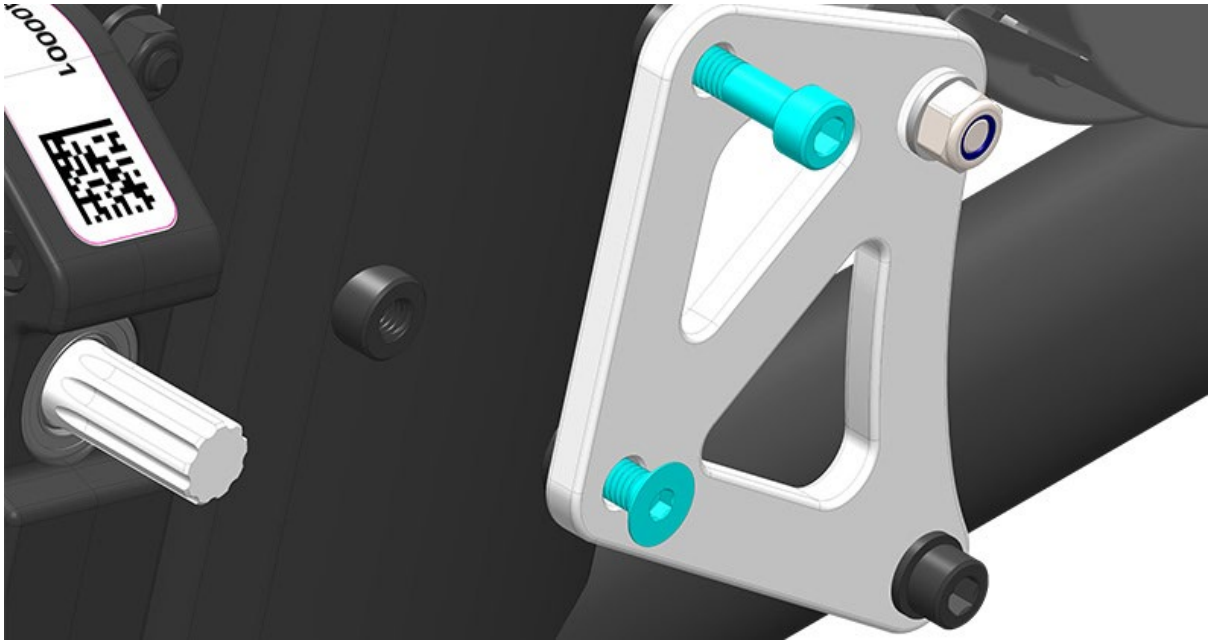
1.8 Fit the Lower Right-Hand Motor Mount Bracket with the curved side facing forward ensuring that the bracket holes align with that of the frame.



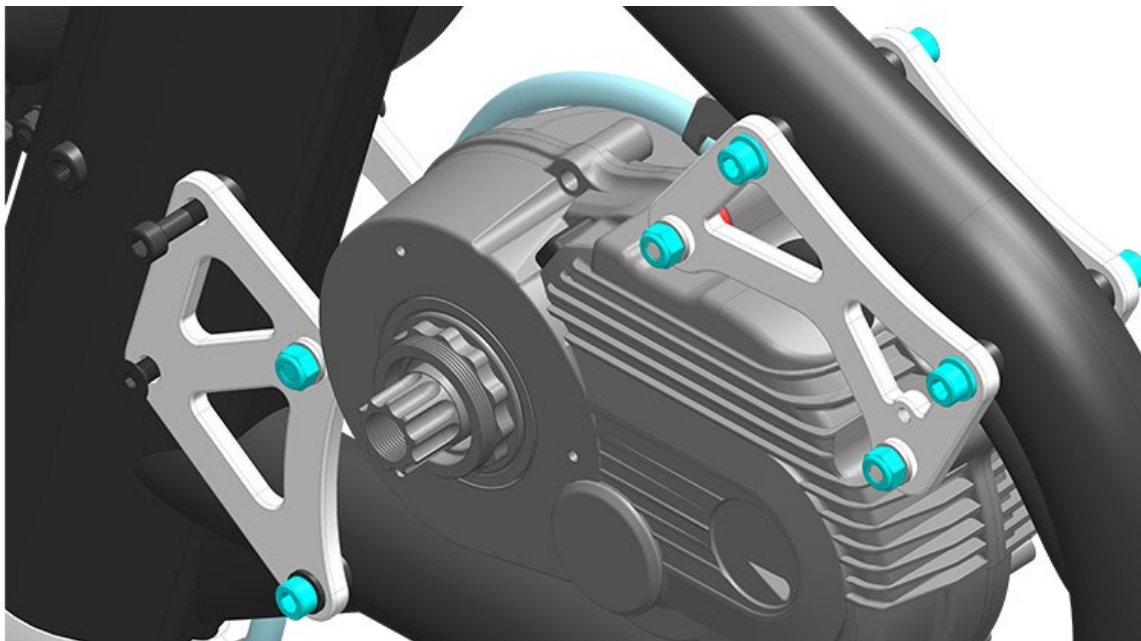
1.9 Loosely fit the Short Nylon Sleeve (with shoulder), M6 Stainless Steel Washer and M6 Stainless Steel Nylock Nut to the end of the Motor Mount Screw.



1.10 Apply Loctite, and loosely fit the M6 Aluminium Cap Screw and Washer to the bottom hole position of the Lower RH Motor Mount Bracket.



1.11 Temporarily fit two M6 screws loosely into the remaining hole positions to ensure alignment of the components.



1.12 With place holder screws loosely fitted in, fasten all motor mount fasteners to a torque value of 5 Nm.

1.13 Remove the two screws that were temporarily fitted to assist with alignment of the Lower RH Motor Mount Bracket.