

## FIT BATTERY TRAY

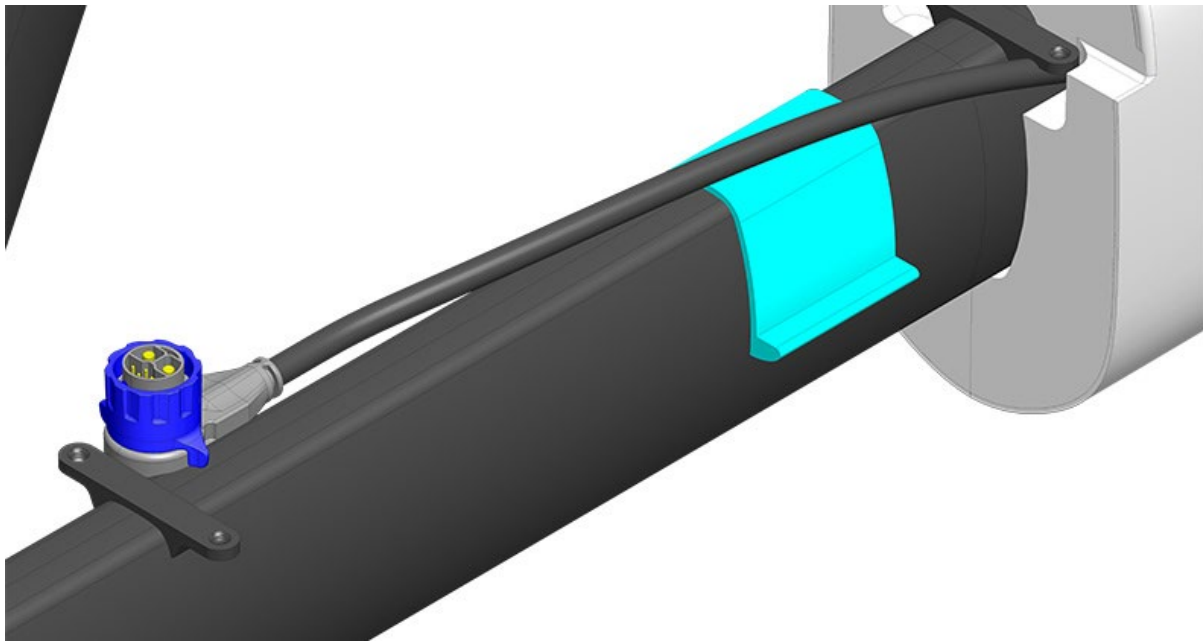
This tutorial shows how to fit the Battery Tray on the XE-1.

### 1. Work Instruction – Fit Battery Tray

#### TOOLS REQUIRED

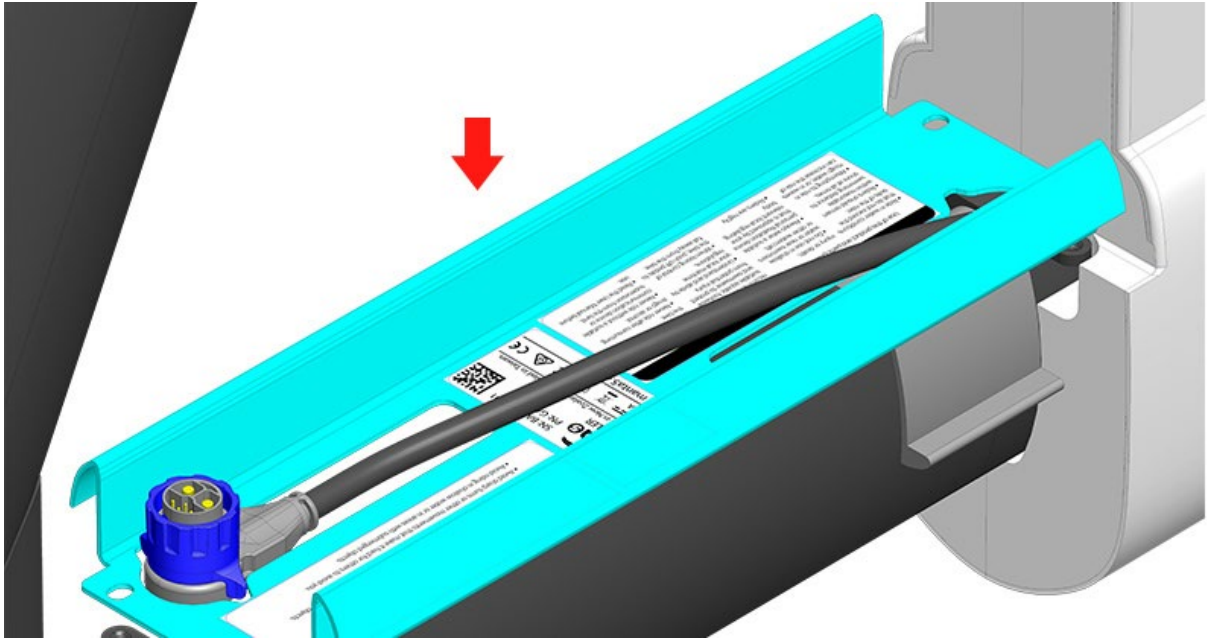
ID	Description	Task
	M4 Hex Key	Fit M6 Countersink Head Screws

1.1 Push cable to the side and fit the Stirrup to the Frame. The ideal position is with a gap of 65 mm between the Rear Buoyancy and the Stirrup.

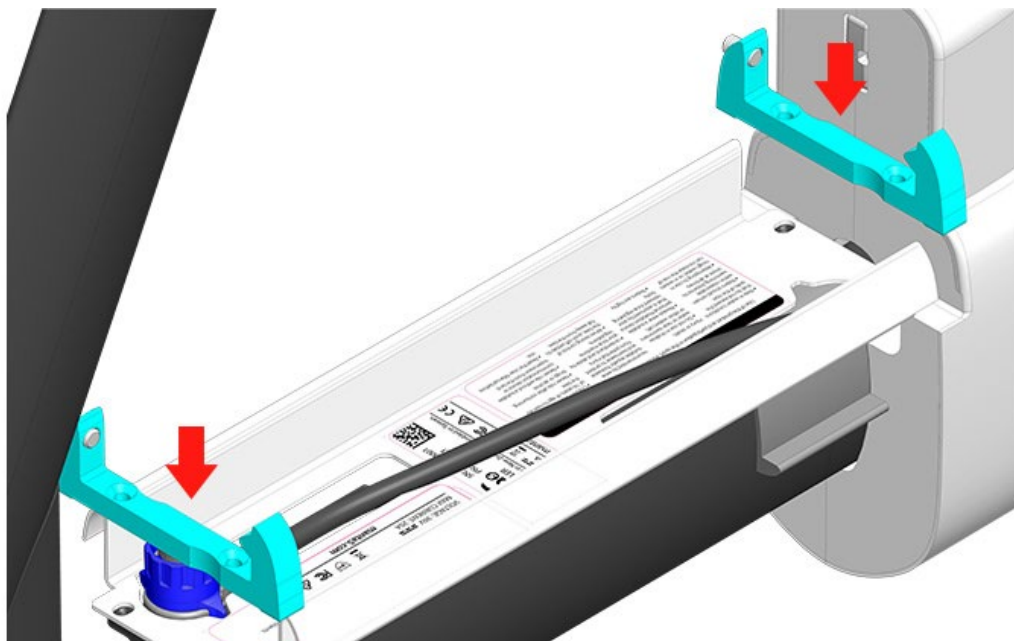


**INFORMATION:** The Stirrup is used as fastener for and locks the Front Buoyancy into place. Positioning the Stirrup with the 65 mm gap to the Rear Buoyancy positions the Stirrup in the ideal position for fitting the Front Buoyancy later. The Battery Tray can remain in place during this procedure.

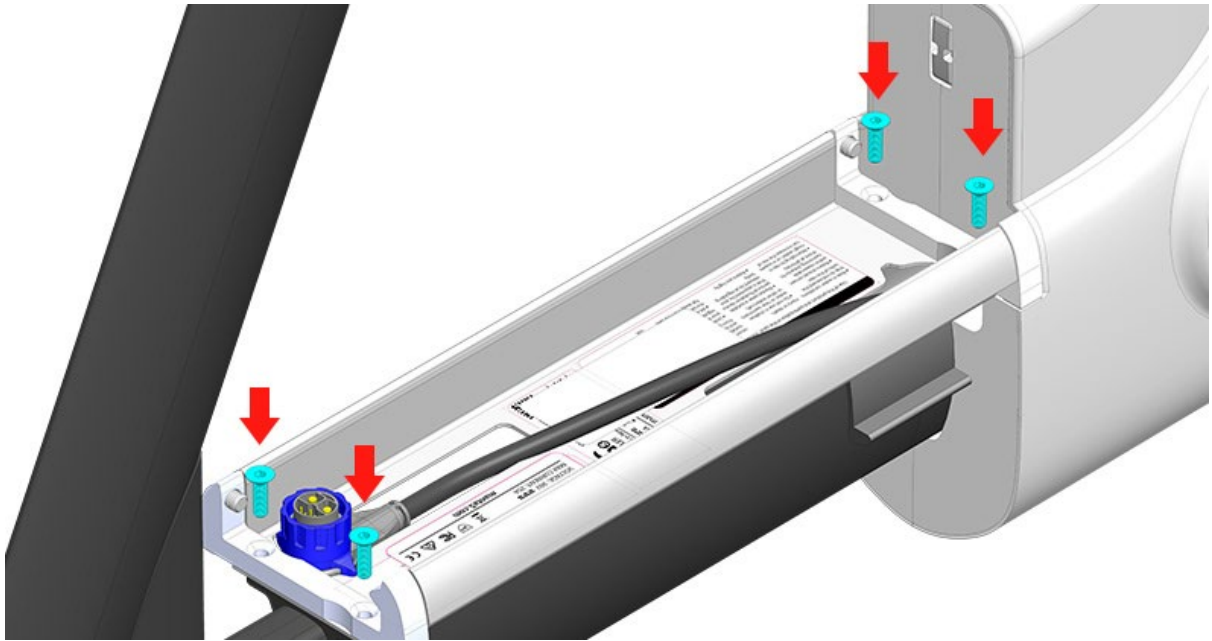
1.2 Thread the cable with the connector through the keyhole and position the Battery Tray (with warning labels attached) to align the screw holes with the corresponding threaded holes in the Frame brackets.



1.3 Position the Battery Latches with M8 Set Screws on the right-hand side of the Hydrofoiler XE-1 so that the fastener holes and edges align with the mating features on the Battery Tray.



1.4 Fit the M6 countersink head screws through the Battery Latches and Battery Tray into the threaded brackets on the bike Frame. Fit all four screws loosely using the taper shape of the screw heads to align the Battery Latches. The Battery Tray position can now be adjusted to align with the Battery Latches before the screws are fully fastened.



1.5 With the Battery Tray aligned, fasten the screws to a torque value of 5 Nm. [Tools: 4mm Hex]

